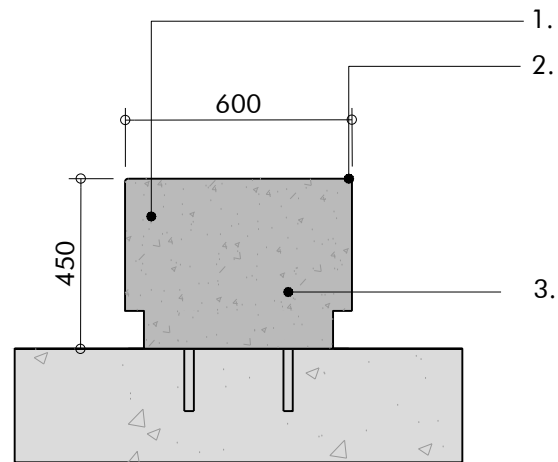
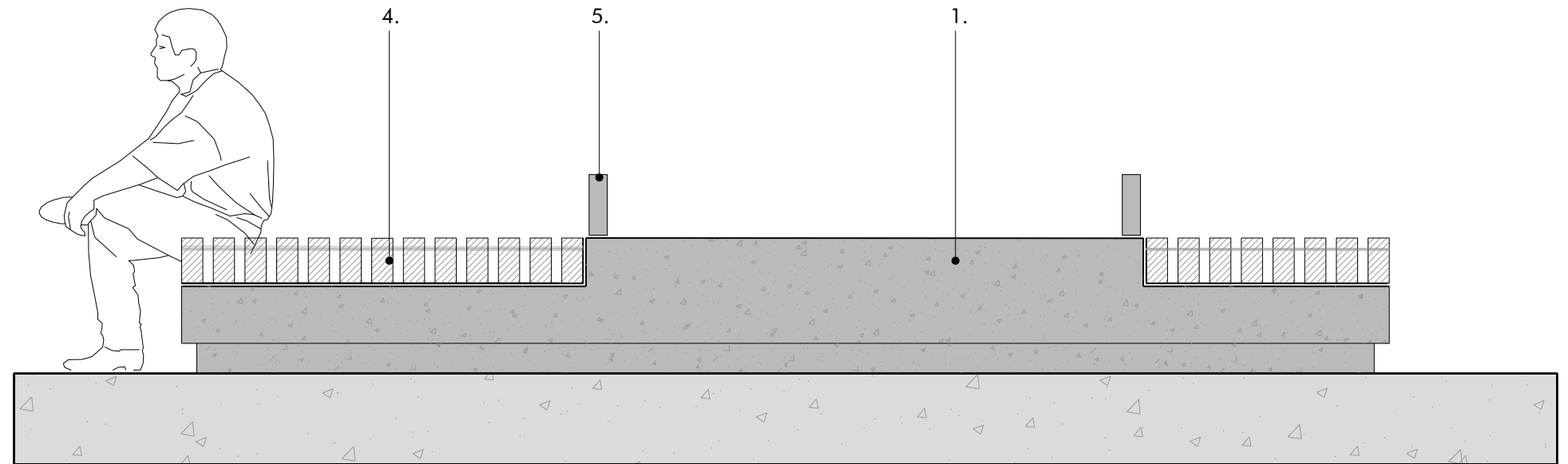


**Section 1:20@A3**



**Elevation 1:20@A3**



**Reference Image**



**Key**

- 1. Precast concrete bench with polished and waterproofed finish. Cast in sections to allow lifting.  
Colour: Light Grey
- 2. Bullnose edge 5mmØ to all exposed edges.
- 3. Foundation.
- 4. FSC hardwood timber battens  
2340mm length x 70mm width x 150mm depth spaced with 35mm gaps.  
All timber seating units to be planed smooth and have a Ø10mm rounded front edge.
- 5. Armrest

Revision	Description	Drawn by	Checked By	Date
-	Issued for Phase 1AN RMA Submission	AP	JP	28.01.15



**Macgregor ▪ Smith**  
Landscape Architecture



project	Brent Cross Cricklewood Plots 53 and 54	drawn by	AP
status	Phase 1AN RMA Submission	checked by	JP
title	Concrete Plinth Bench to Doorstep Play Area	date	13.01.15
Xref	-	scale	1:20@A3
drawing No	1065-10-418	revision	-