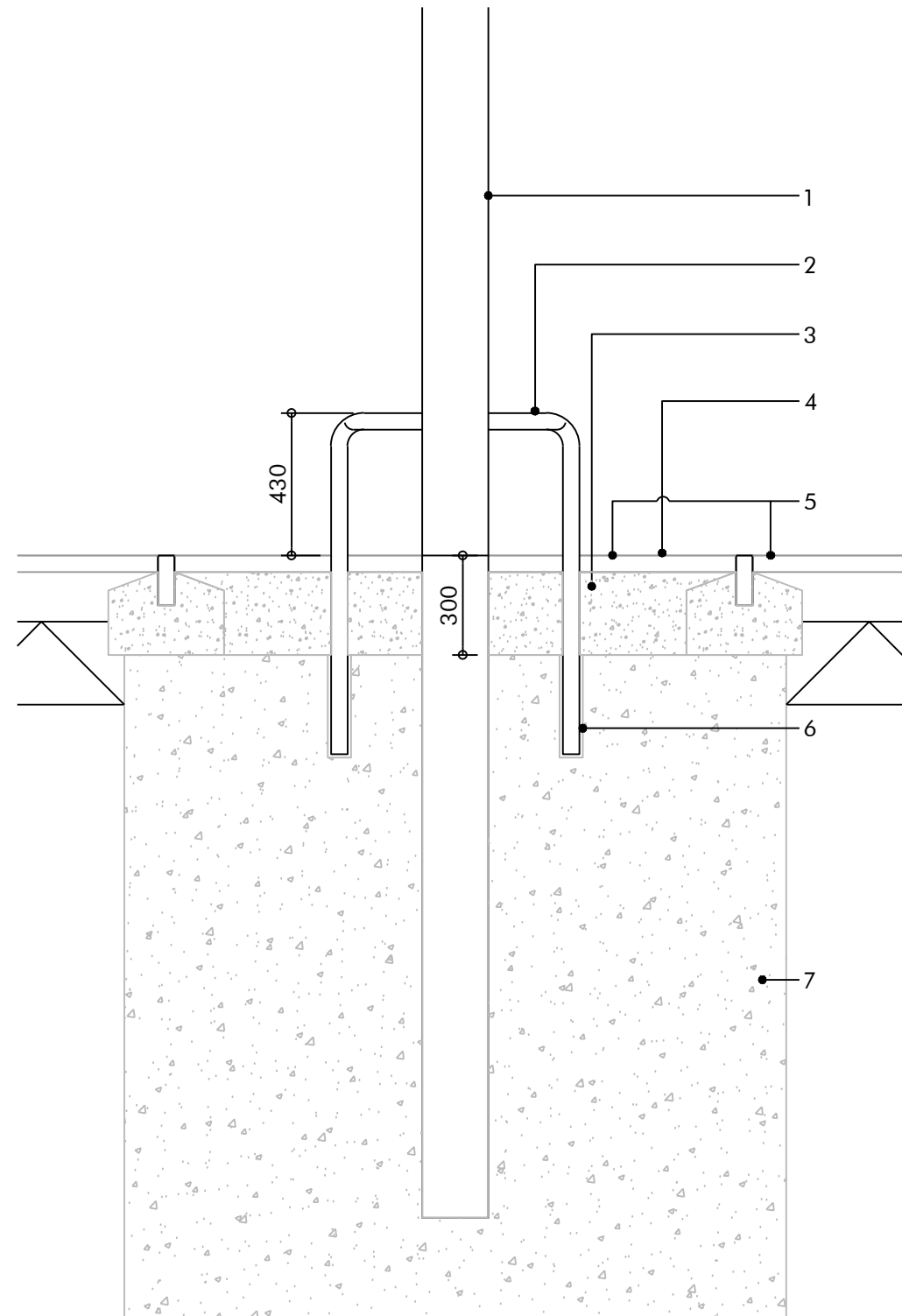


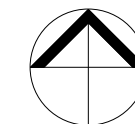
PLAN  
Scale 1:50 @ A3



SECTION  
Scale 1:20 @ A3

- KEY
1. Lighting / Signage column to engineer's / architect's detail and specification
  2. 50mm (TBC) diameter galvanised steel protective hoops to structural engineer's specification. Locations as drg 1065-10-XXX
  3. Concrete footing infill to protective hoops to engineer's specification grade ST1 concrete.
  4. DCC concrete edging laid flush with car park surfacing.
  5. Tarmac car park surface to civil engineer's specification.
  6. 4 x voids cast within concrete foundation approx. 20mm larger diameter than protective hoop. To be filled with sand once hoop inserted to allow easy replacement when needed.
  7. Lighting / Signage column concrete footing to structural engineer's detail.

Revision	Description	Drawn by	Checked by	Date
-	Issued for Phase 1AN RMA Submission	AP	JP	28.01.15



project	Brent Cross Cricklewood Plots 53 and 54	drawn by	AP
status	Phase 1AN RMA Submission	checked by	JP
title	Light Column Protector	date	10.12.14
Xref	xref	scale	1:20@a3
drawing No	1065-10-419	revision	-

Macgregor • Smith  
Landscape Architecture

