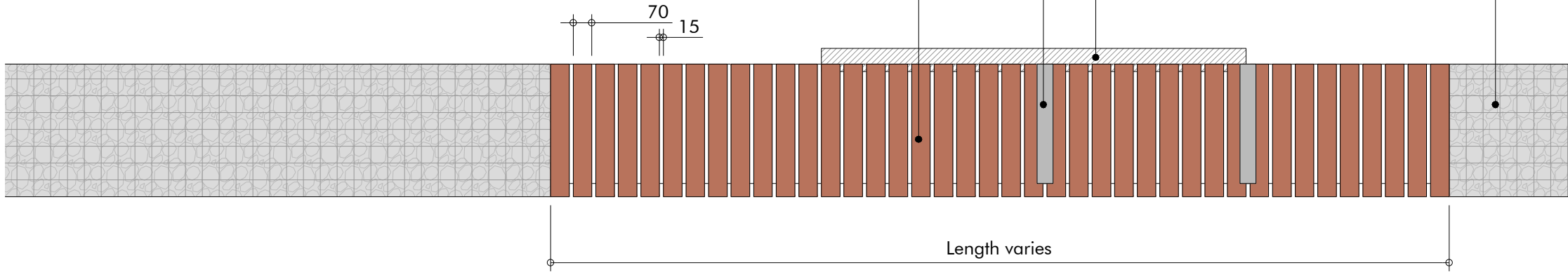
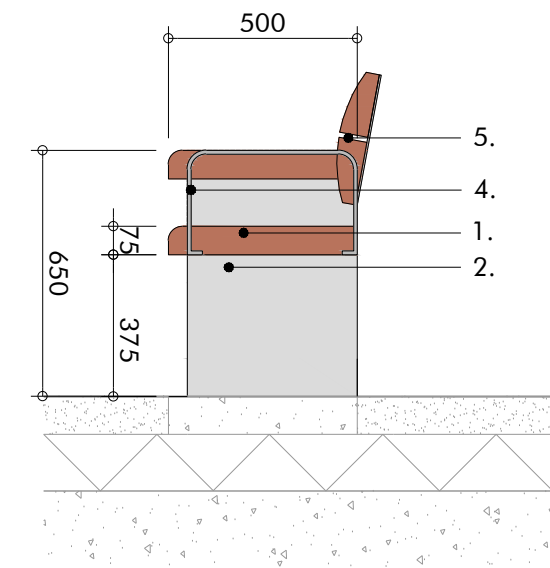


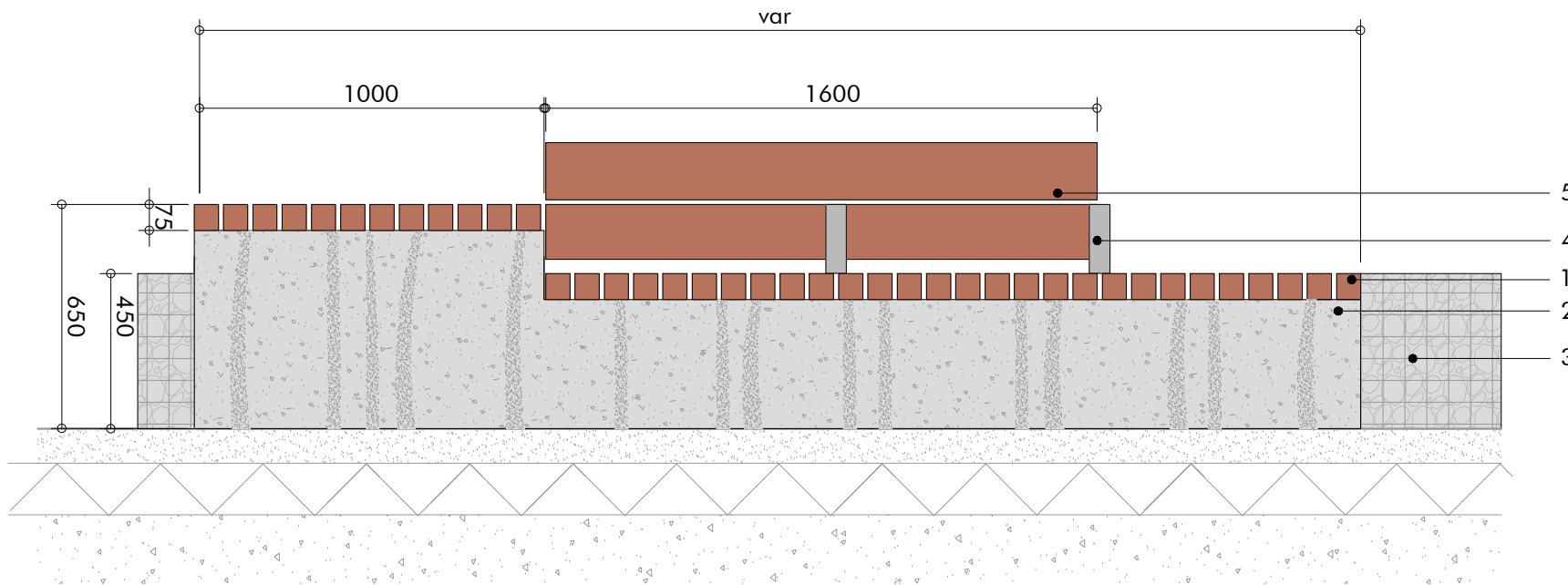
Plan 1:20@A3



Side Elevation 1:20@A3



Front Elevation 1:20@A3



1. FSC tropical hardwood timber top to bench 500mm length x 70mm width x 75mm depth battens with 15mm spacing to be secured to concrete seat base to fabricator's detail All timber to be sawn and planed smooth and to have Ø75mm rounded front edge as shown in detail
2. Concrete base to seat with patterns incorporated into the concrete work 375mm height x 450mm width Standard RECKLI® finished to be enhanced using RECKLI® photo engraving formliners or similar equal and approved method Foundation, drawing and specification to Structural Engineer's detail
3. Gabion/reinforced soil structure Galvanised Textumor or similar equal and approved, gabion/reinforced soil system To be faced with hand laid coursed re-cycled stone Foundation, drawing and specification to Structural Engineer's detail
4. Armrest
5. Backrest

Revision	Description	Drawn by	Checked By	Date
-	Phase 1AN RMA Submission	JR	GG	28.11.14
A	Phase 1AN RMA Submission	RH	GG	18.05.15



project	Brent Cross Cricklewood Brent Riverside Park	drawn by	JR
status	Phase 1AN RMA Submission	checked by	GG
title	Bespoke Concrete Plinth Bench/Seat at various levels	date	28.11.14
Xref	-	scale	1:20@A3
drawing No	1065-03-406	revision	A

Macgregor • Smith
Landscape Architecture



**To be read in conjunction with
Macgregor Smith Base, Soft and Hard Landscape Specifications**