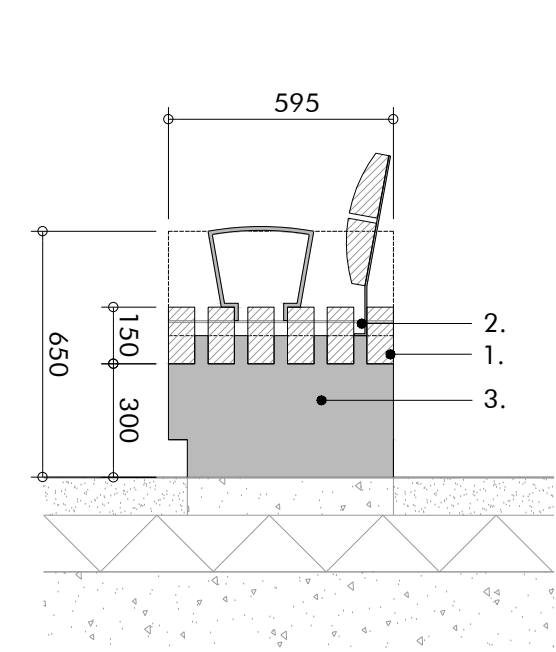
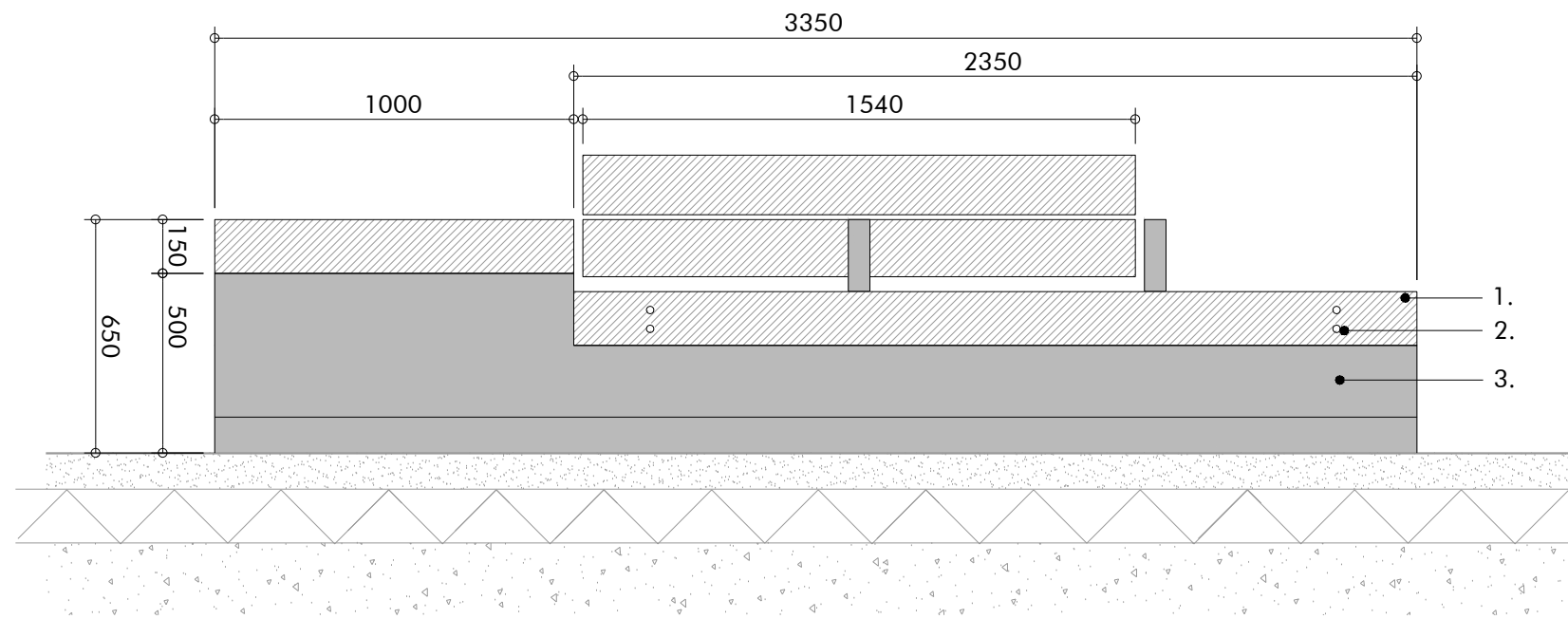


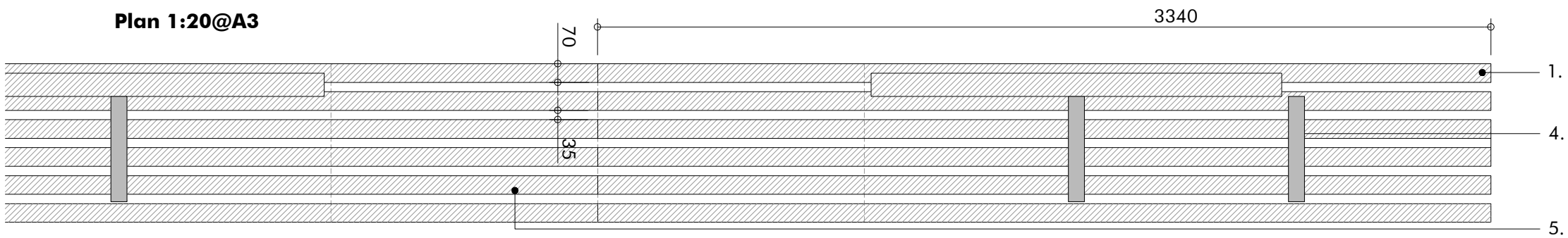
Side Elevation 1:20@A3



Front Elevation 1:20@A3



Plan 1:20@A3



Key

Streetlife Rough and Ready 6 Bench with backrest and armrests or similar and approved.
650/450mm high x 2340mm long x 595mm wide

1. FSC hardwood timber battens
2340mm length x 70mm width x 150mm depth spaced with 35mm gaps
All timber seating units to be planed smooth and have a Ø10mm rounded front edge
2. Timber battens to be fixed to theft-proof steel comb system.
3. Precast concrete base.
4. Armrests
5. Bench seat can be placed end to end to form long run of seating

Notes

- A. All details to be read in conjunction with the General Arrangement Plans and Specifications
- B. All timber to be FSC or equal with full chain of custody.
- C. All timber to be planed, free from twists and splinters.
- D. Design Intent Drawing
Fabrication drawings to be submitted for approval.
It is proposed that a condition be added to the Reverted Matter Approval, requiring Detail Design Drawings to be submitted for approval.

Revision	Description	Drawn by	Checked By	Date
-	Issued for Phase 1AN RMA Submission	CvS	GJ	07.11.14
A	Issued for Phase 1AN RMA Submission	AP	JP	28.11.14
B	Issued for Phase 1AN RMA Submission	ET	JP	13.05.15



Macgregor • Smith
Landscape Architecture



project	Brent Cross Cricklewood Claremont Park	drawn by	AP
status	Phase 1AN RMA Submission	checked by	JP
title	Bespoke Concrete Plinth Bench/Seat at various levels	date	07.11.14
Xref	-	scale	1:20@A3
drawing No	1065-04-421	revision	B