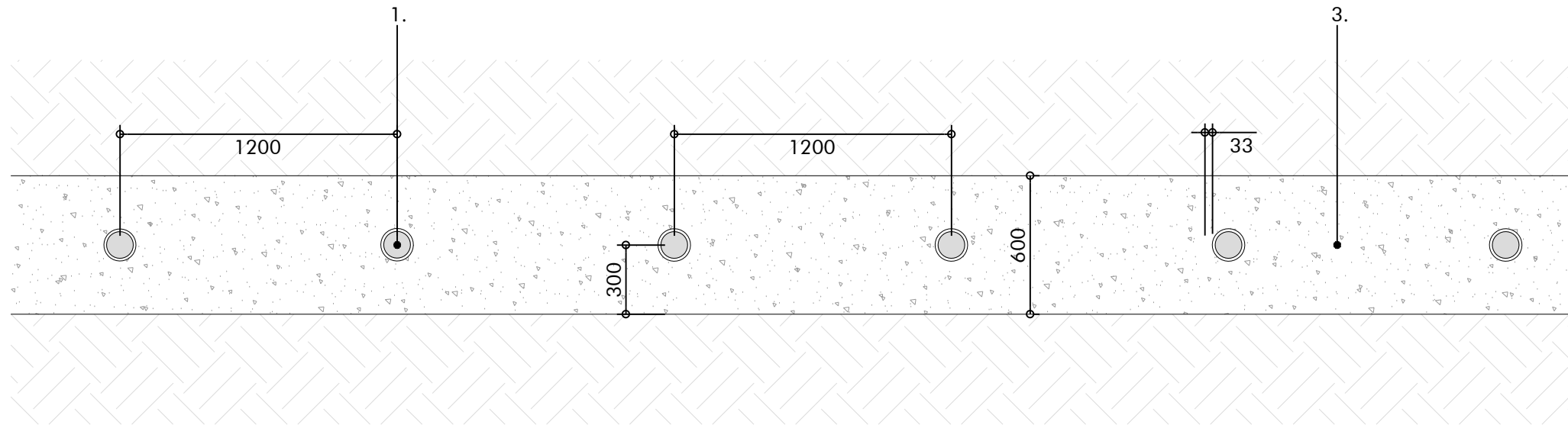
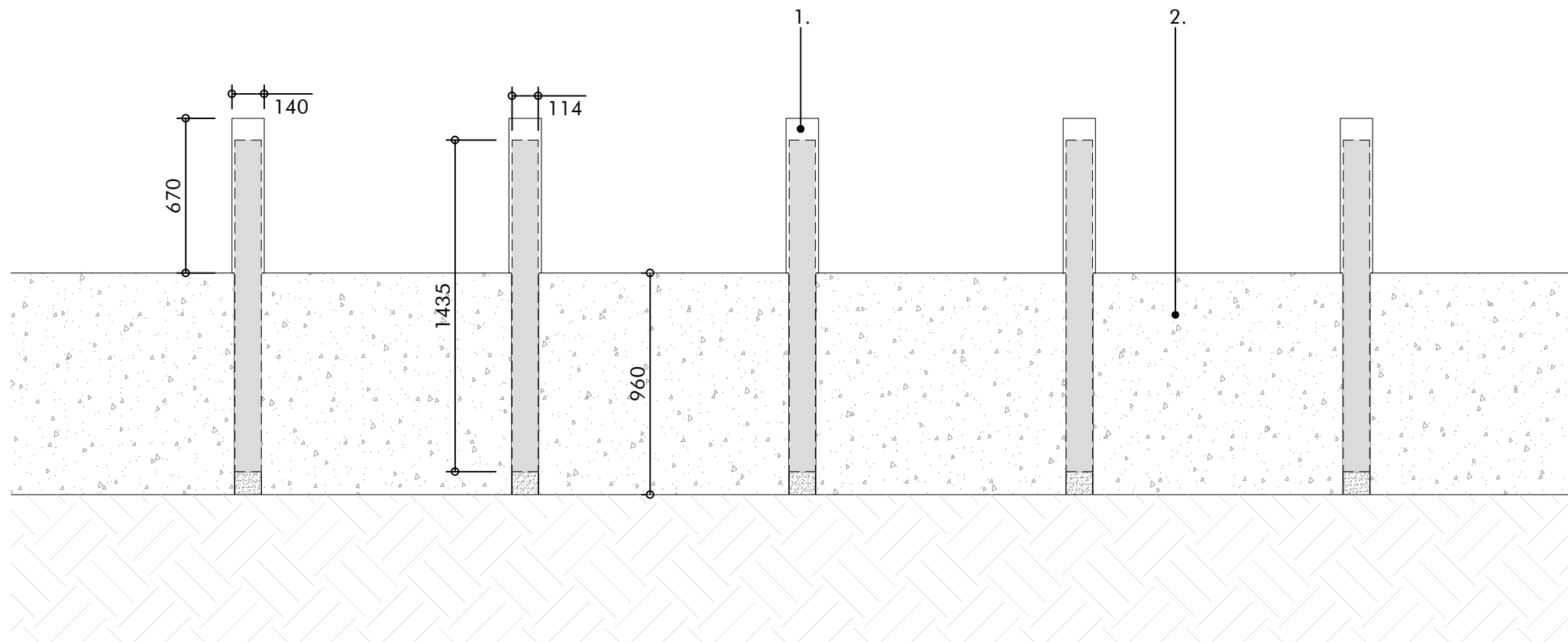


Plan 1:25@A3



Elevation 1:25@A3

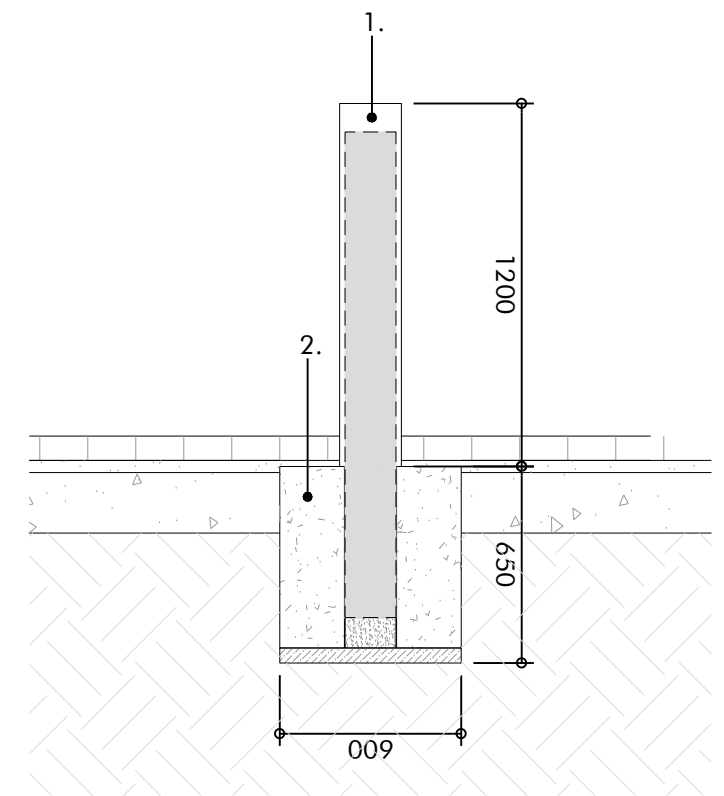


Key

1. Rhino 'Lift Assist' Telescopic Bollards - Heavy Duty 670 Tall.
2. Concrete foundation to specialist fabricator's detail. In situ concrete finish and foundations.
3. Adjacent Surfacing. Refer to GA drawing 1065-04-001

Round telescopic bollard manufactured from high strength mild steel to BS 1440 and galvanised to BS EN ISO 1461 (1999), with an internal lift assist mechanism to significantly reduce the operating weight and aid manual handling. Galvanised finish

End Elevation 1:25@A3



| Revision | Description | Drawn by | Checked by | Date |
|----------|--------------------------------|----------|------------|----------|
| - | Draft Phase 1AN RMA Submission | RH | GJ/IG | 07.11.14 |
| A | Phase 1AN RMA Submission | AP | JP | 28.11.14 |
| B | Phase 1AN RMA Submission | ET | JP | 13.05.15 |



Macgregor ■ Smith
Landscape Architecture



| | | | |
|------------|--|------------|----------|
| project | Brent Cross Cricklewood | drawn by | RH |
| status | Phase 1AN RMA Submission | checked by | GJ/IG |
| title | Claremont Park Retractable Bollards | date | 07.11.14 |
| Xref | 1065-04-000 sections | scale | 1:25@a3 |
| drawing No | 1065-04-424 | revision | B |