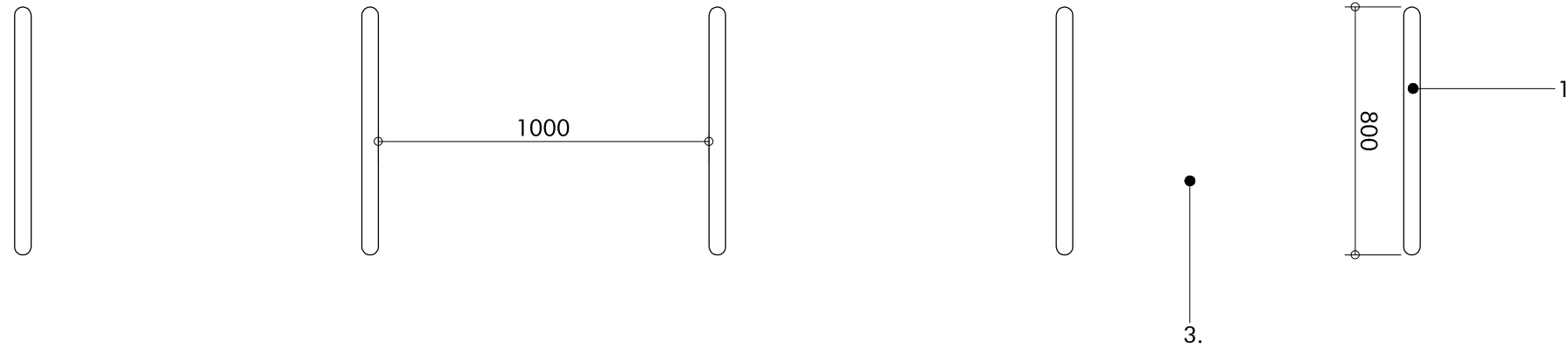


Plan 1:20@A3



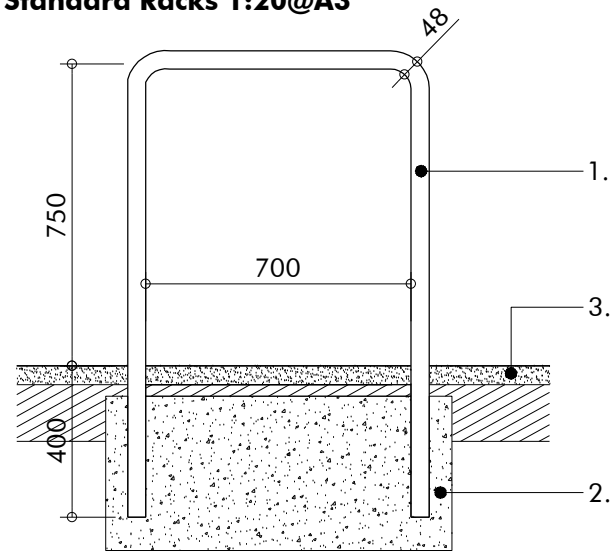
Key

1. Sheffield Style in galvanized steel with epoxy resin bonding to fix tubes into foundations.
When positioned adjacent to one another, stands should be 1000mm apart and 550mm from any wall or obstruction.
All fixings to be below finish external level.
2. Insitu concrete foundation.
3. Surface finish varies - refer to General Arrangement drawing no 1065-04-001. Slabs or blocks to be core bored to receive cycle stand.
4. Galvanised steel plate for cycle racks at end of runs.

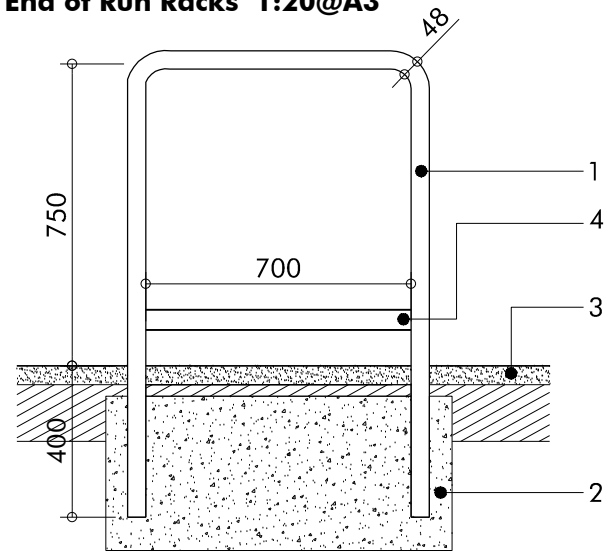
Notes

- A. All details to be read in conjunction with the General Arrangement Plans and Specifications

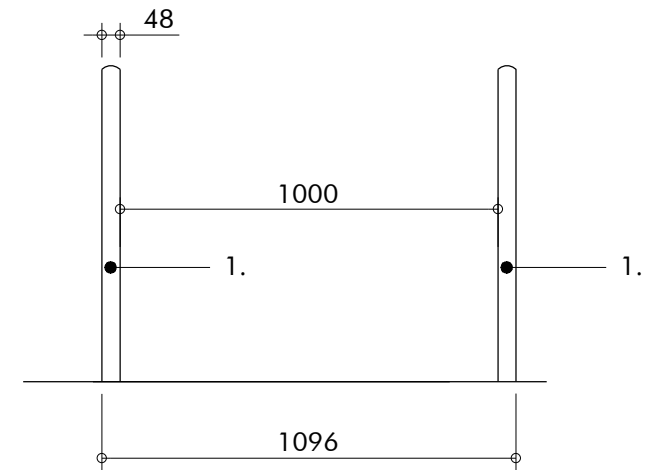
Side Elevation - Standard Racks 1:20@A3



Side Elevation - End of Run Racks 1:20@A3



Front Elevation 1:20@A3



Revision	Description	Drawn by	Checked by	Date
-	Issued for Phase 1AN RMA Submission	WH	CvS	07.11.14
A	Issued for Phase 1AN RMA Submission	AP	JP	28.11.14
B	Issued for Phase 1AN RMA Submission	AP	JP	13.05.15



Macgregor ■ Smith
Landscape Architecture



project	Brent Cross Cricklewood Claremont Park	drawn by	WH
status	Phase 1AN RMA Submission	checked by	CvS
title	Cycle Stand Details	date	07.11.14
Xref	-	scale	1:20 @ A3
drawing No	1065-04-425	revision	B