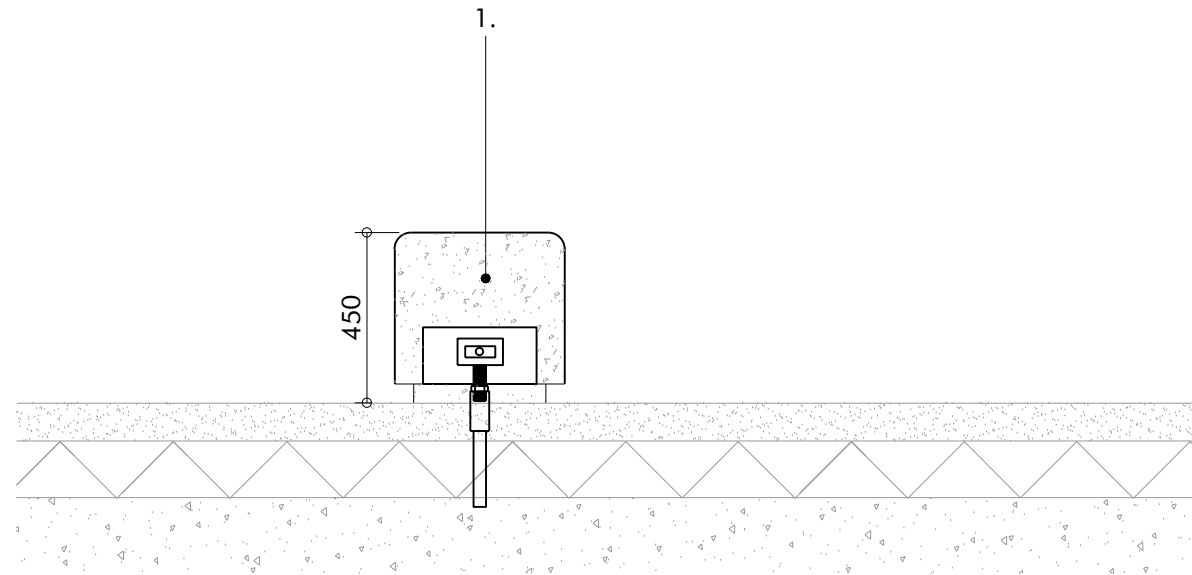


**Front Elevation 1:20@A3**



**KEY**

- 1. Stand-alone Square Concrete Cube supplied by Furnitubes.

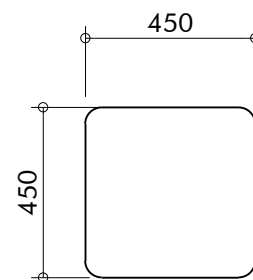
**NOTES**

- A. 500 X 500mm Concrete Cube seat Blyth MK2 supplied by Furnitubes Ltd or similar approved.

**Reference Image**



**Plan 1:20@A3**



**Macgregor • Smith**  
Landscape Architecture



Revision	Description	Drawn by	Checked By	Date
-	Issued for Phase 1AN RMA Submission	CvS	GJ	07.11.14
A	Issued for Phase 1AN RMA Submission	AP	JP	28.11.14



project	Brent Cross Cricklewood Claremont Park	drawn by	AP
status	Phase 1AN RMA Submission	checked by	JP
title	Bench Seat Type 3 Individual Seat	date	24.11.14
Xref	-	scale	1:20@A3
drawing No	1065-04-428	revision	<b>A</b>