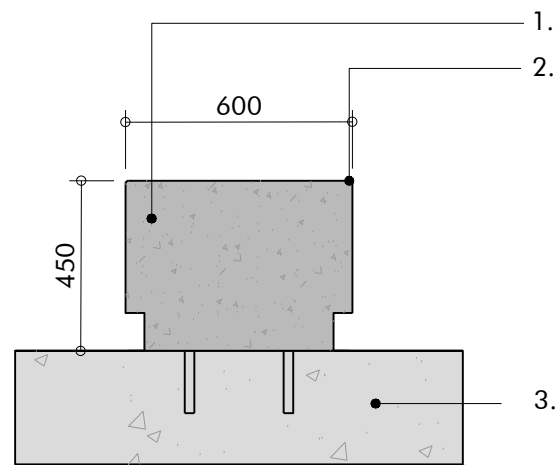
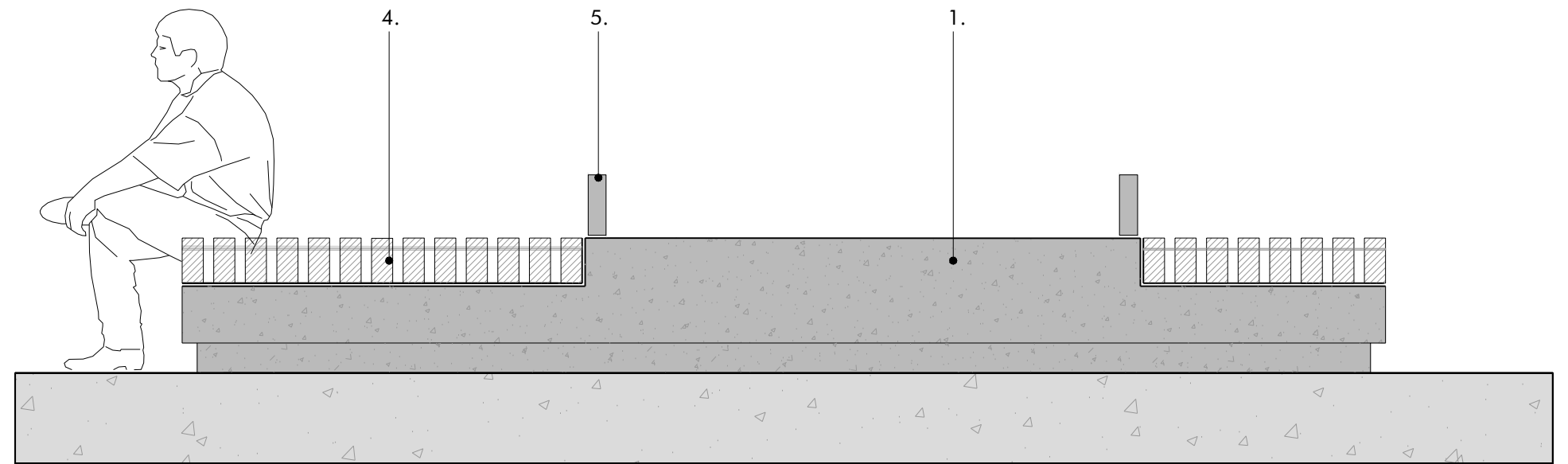


**Section 1:20@A3**



**Elevation 1:20@A3**



**Reference Image**



**Key**

1. Precast concrete bench with polished and waterproofed finish. Cast in sections to allow lifting.  
Colour: Light Grey
2. Bullnose edge 5mmØ to all exposed edges.
3. Foundation.
4. FSC hardwood timber battens  
2340mm length x 70mm width x 150mm depth spaced with 35mm gaps.  
All timber seating units to be planed smooth and have a Ø10mm rounded front edge.
5. Armrest

**Notes**

- A. Design Intent Drawing  
Fabrication drawings to be submitted for approval.  
It is proposed that a condition be added to the Reversed Matter Approval, requiring Detail Design Drawings to be submitted for approval.

Revision	Description	Drawn by	Checked By	Date
-	Issued for Phase 1AN RMA Submission	CvS	GJ	07.11.14
A	Issued for Phase 1AN RMA Submission	AP	JP	24.11.14
B	Issued for Phase 1AN RMA Submission	ET	JP	13.05.15



**Macgregor ▪ Smith**  
Landscape Architecture



project	Brent Cross Cricklewood Claremont Park	drawn by	AP
status	Phase 1AN RMA Submission	checked by	JP
title	Bespoke Concrete Plinth Bench	date	07.11.14
Xref	-	scale	1:20@A3
drawing No	1065-04-429	revision	<b>B</b>