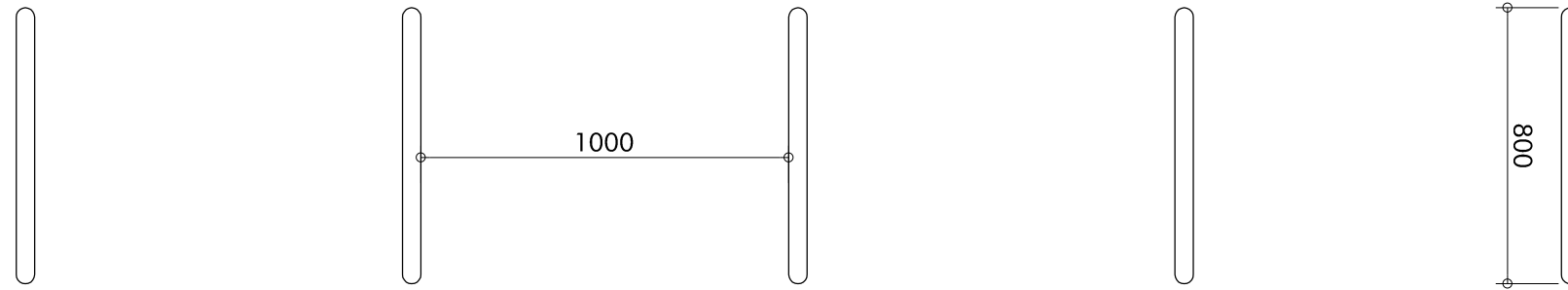


**Plan 1:20@A3**



**Key**

1. Sheffield Style in galvanized steel with epoxy resin bonding to fix tubes into foundations.

When positioned adjacent to one another, stands should be 1000mm apart and 550mm from any wall or obstruction.

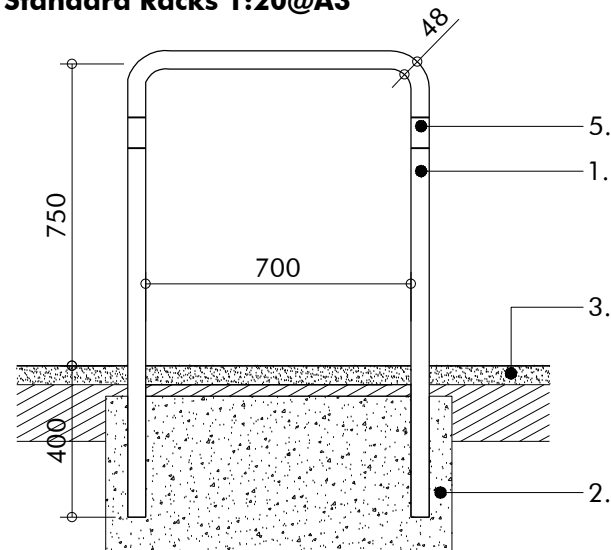
All fixings to be below finish external level.

- 2. Insitu concrete foundation.
- 3. Surface finish varies - refer to General Arrangement.
- 4. Galvanised steel plate for cycle racks at end of runs.
- 5. Colour band for cycle racks at end of runs.

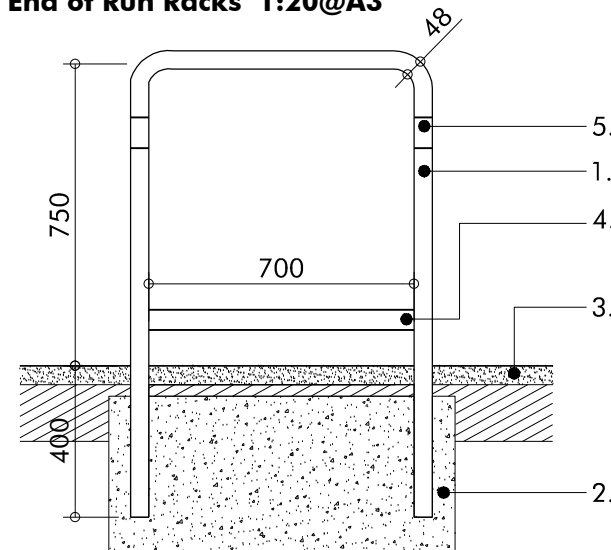
**Notes**

- A. All details to be read in conjunction with the General Arrangement Plans and Specifications
- B. All reinforcements and foundations

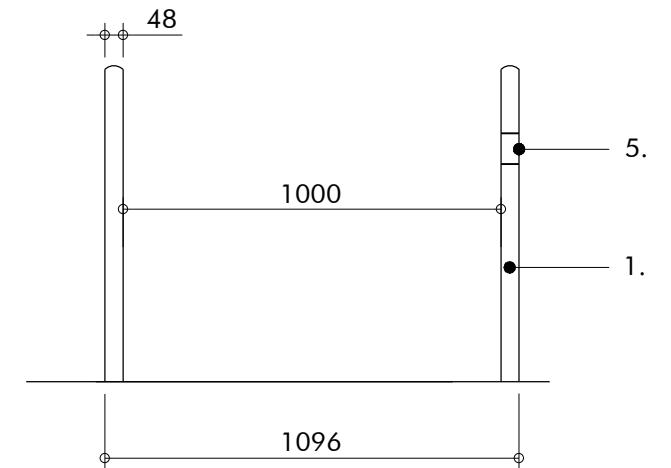
**Side Elevation - Standard Racks 1:20@A3**



**Side Elevation - End of Run Racks 1:20@A3**



**Front Elevation 1:20@A3**



Revision	Description	Drawn by	Checked by	Date
-	Issued for Phase 1AN RMA Submission	WH	CvS	07.11.14
A	Issued For Phase 1AN RMA Submission	AP	JP	28.11.14
B	Issued For Phase 1AN RMA Submission	AP	JP	13.05.15



**Macgregor ▪ Smith**  
Landscape Architecture



project	Brent Cross Cricklewood Clitterhouse Playing Fields	drawn by	WH
status	Phase 1AN RMA Submission	checked by	CvS
title	Cycle Stand Details	date	07.11.14
Xref	-	scale	1:20 @ A3
drawing No	1065-08-425	revision	<b>B</b>