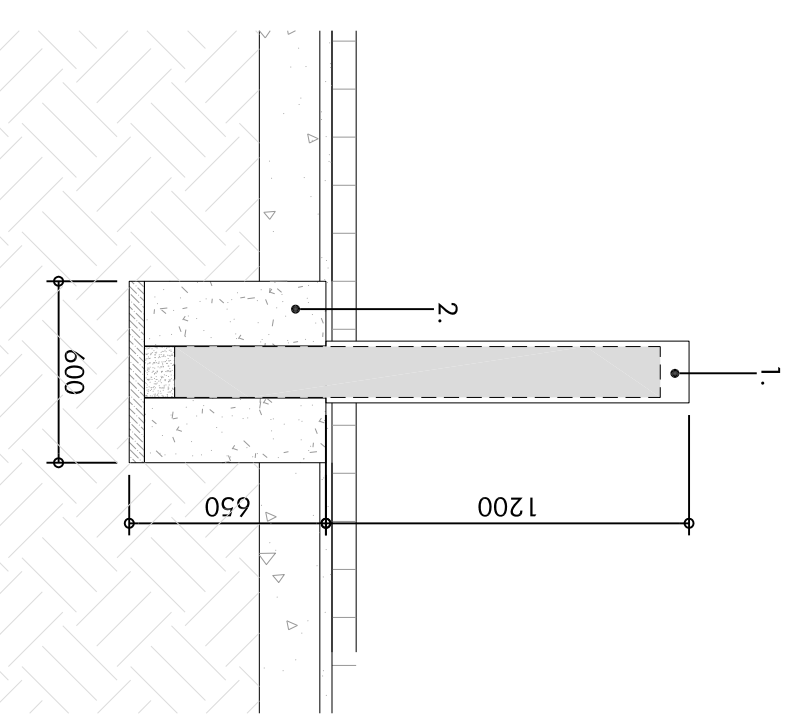
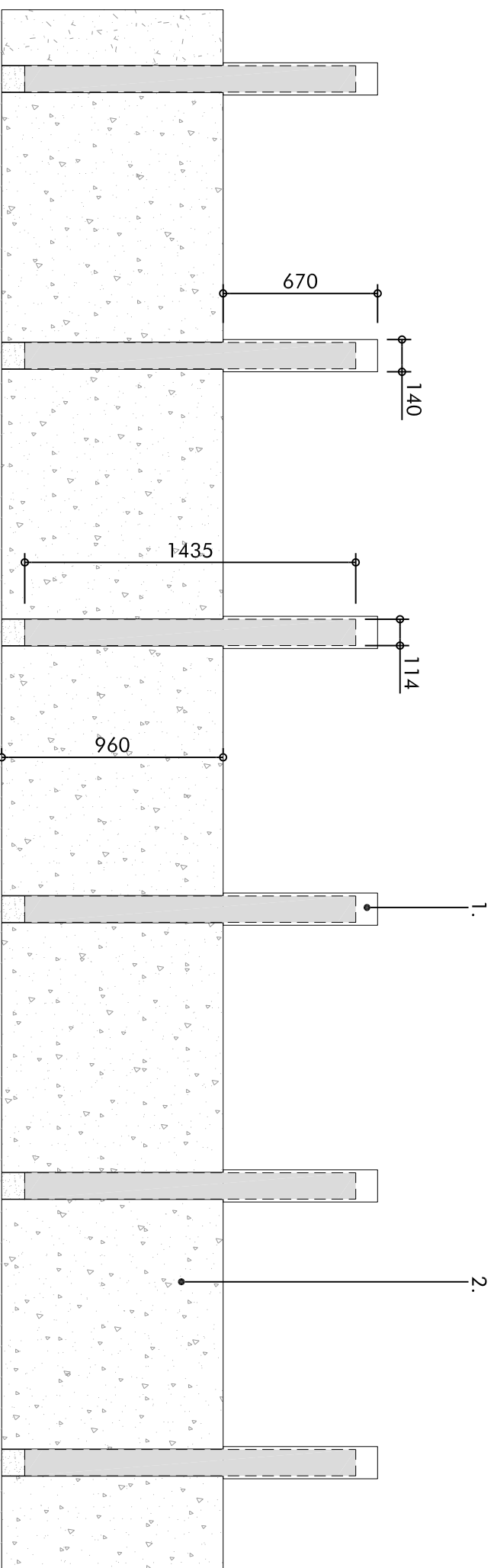


Elevation 1:25@A3

Key

1. Rhino 'Lift Assist' Telescopic Bollards - Heavy Duty 670 Tall.
2. Concrete foundation to specialist fabricator's detail. In situ concrete finish and foundations.
3. Adjacent Surfacing. Refer to GA drawing 1065-04-001

Round telescopic bollard manufactured from high strength mild steel to BS 1440 and galvanised to BS EN ISO 1461 (1999), with an internal lift assist mechanism to significantly reduce the operating weight and aid manual handling. Galvanised finish



Revision	Description	Drawn by	Checked by	Date
-	Issued For Phase 1AN RMA Submission	AP	JP	28.11.14
A	Issued For Phase 1AN RMA Submission	ET	JP	13.05.15

Macgregor ■ Smith Landscape Architecture			
project	Brent Cross Cricklewood	drawn by	AP
status	Phase 1AN RMA Submission	checked by	JP
title	Clitterhouse Playing Fields Retractable Bollards	date	21.11.14
Xref	1065-08-000 sections	scale	1:25@A3
drawing No	1065-08-427	revision	A