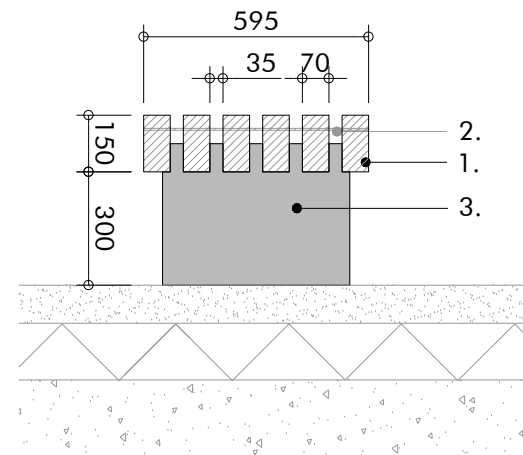
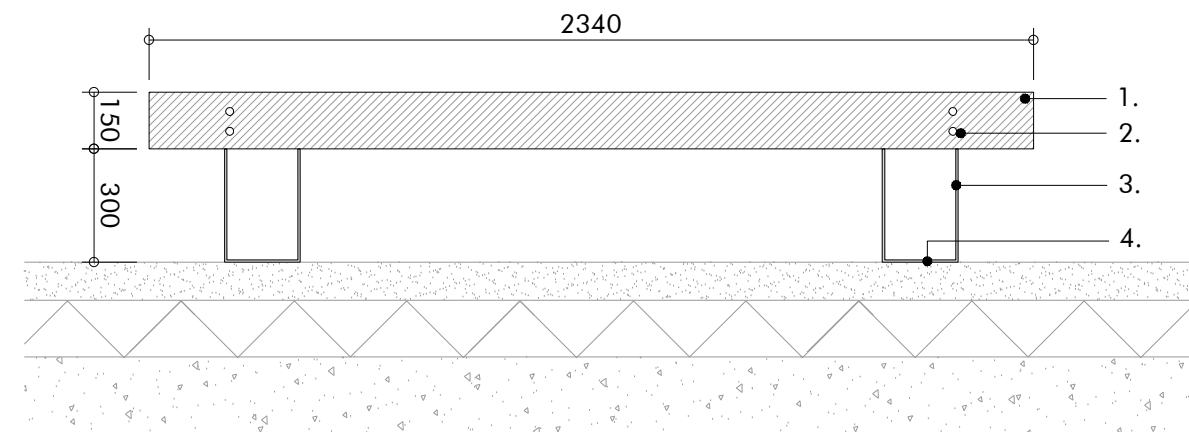


Side Elevation 1:20@A3



Front Elevation 1:20@A3



Key

Streetlife Rough and Ready 6 Bench or similar and approved.
450mm high x 2340mm long x 595mm wide

1. FSC hardwood timber battens
2340mm length x 70mm width x 150mm depth spaced with 35mm gaps
All timber seating units to be planed smooth and have a Ø10mm rounded front edge
2. Timber battens to be fixed to theft-proof steel comb system to specialist fabricator's detail.
3. Galvanised steel legs. Below ground fixing.
4. Refer to General Arrangement plans for surface material.

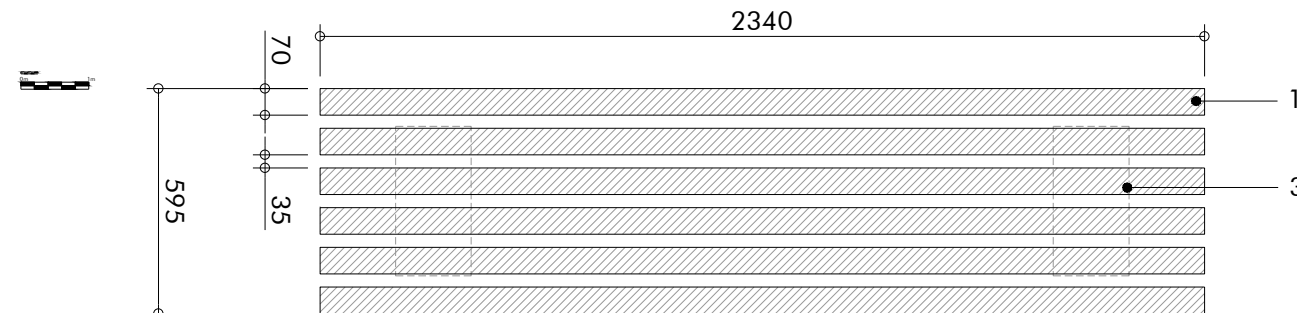
Notes

- A. All details to be read in conjunction with the General Arrangement Plans and Specifications
- B. All reinforcements and foundations to be approved by Engineer
- C. All timber to be FSC or equal with full chain of custody.
- D. All timber to be planed, free from twists and splinters.

Reference Image



Plan 1:20@A3



Revision	Description	Drawn by	Checked By	Date
-	Issued for Phase 1AN RMA Submission	CvS	GJ	07.11.14
A	Issued For Phase 1AN RMA Submission	AP	JP	28.11.14



Macgregor ▪ Smith
Landscape Architecture



project	Brent Cross Cricklewood Clitterhouse Playing Fields	drawn by	CvS
status	Phase 1AN RMA Submission	checked by	GJ
title	Bench Seat Type 1	date	07.11.2014
Xref	-	scale	1:20@A3
drawing No	1065-08-433	revision	A