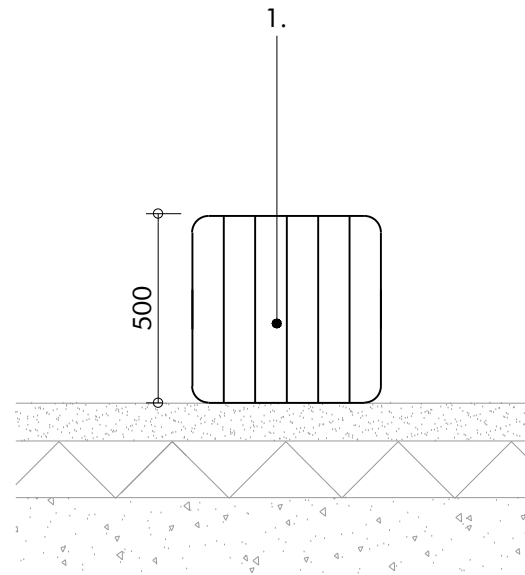
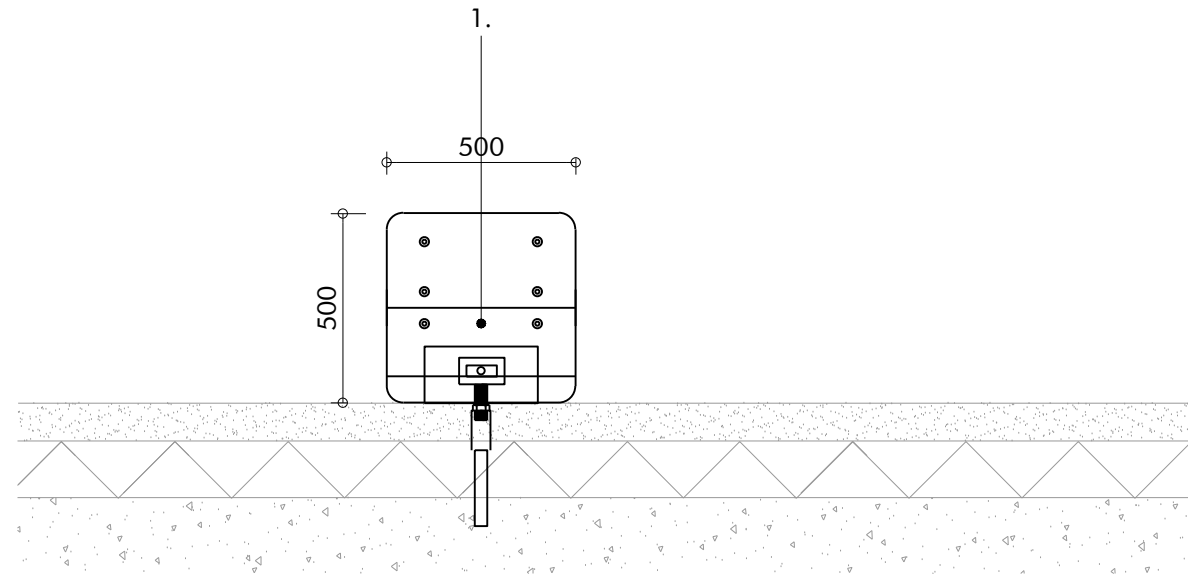


Side Elevation 1:20@A3



Front Elevation 1:20@A3



KEY

- 1. Woodscape Bale Seat 500x500x500mm

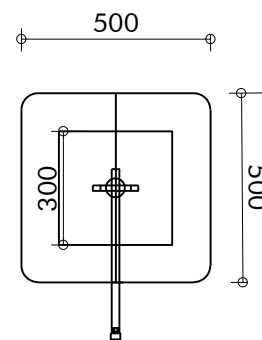
NOTES

- A. All details to be read in conjunction with the General Arrangement Plans and Specifications
- B. All timber to be FSC or equal with full chain of custody.
- C. All timber to be planed, free from twists and splinters.

Reference Image



Plan 1:20@A3



Macgregor ▪ Smith
Landscape Architecture



Revision	Description	Drawn by	Checked By	Date
-	Issued for Phase 1AN RMA Submission	CvS	GJ	07.11.14
A	Issued For Phase 1AN RMA Submission	AP	JP	28.11.14



project	Brent Cross Cricklewood Clitterhouse Playing Fields	drawn by	CvS
status	Phase 1AN RMA Submission	checked by	GJ
title	Bench Seat Type 4 Individual Seats	date	07.11.14
Xref	-	scale	1:20@A3
drawing No	1065-08-435	revision	A