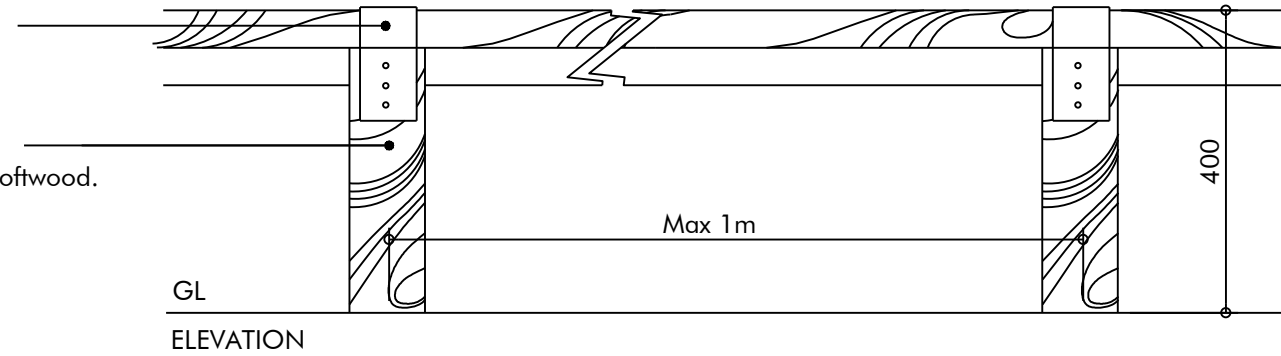


Mild Steel Strap
350x75mm 20 gauge galvanised steel strap; nailed in place with 3nr. galvanised nails on either side

Timber Post
100x100x700mm pressure treated softwood.



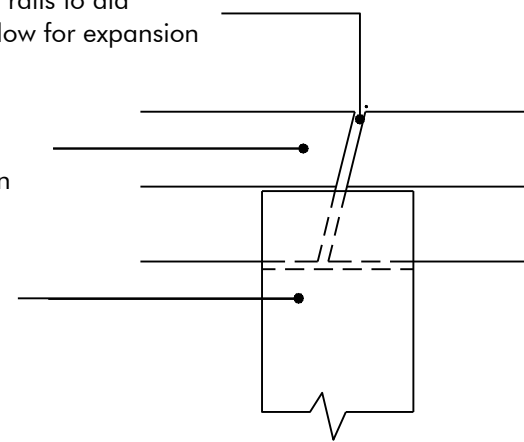
NOTES

- All timber is to be pressure impregnated with an approved preservative.
- All Timber is to be sawn, free from snags and splinters.
- All Ironmongery is to be galvanised.
- All Timbers are to be stained with 2 coats Sadolin, colour to be advised.
- Posts are to be set at a maximum of 1m centres including all changes in direction and at intersections.
- All notch cuts are to be made prior to the application of the preservative.

Slight gap between rails to aid drainage and to allow for expansion

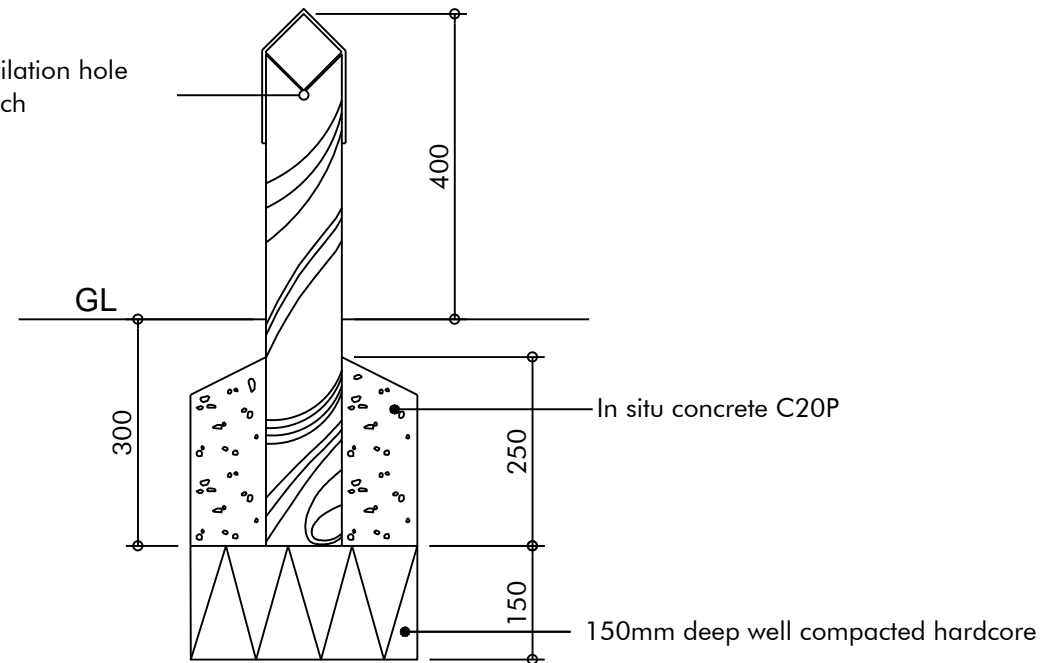
Timber Rail
Strap not shown

Timber Post



DETAIL

12mm drainage and ventilation hole drilled prior to cutting notch



SECTION

Revision	Description	Drawn by	Checked by	Date
-	Issued for Phase 1AN RMA Submission	AP	JP	13.05.15

Macgregor • Smith
Landscape Architecture



project	Brent Cross Cricklewood Clitterhouse Playing Fields	drawn by	AP
status	Phase 1AN RMA Submission	checked by	JP
title	Timber Knee Rail	date	08.05.15
Xref	xref	scale	1:10@A3
drawing No	1065-08-438	revision	-