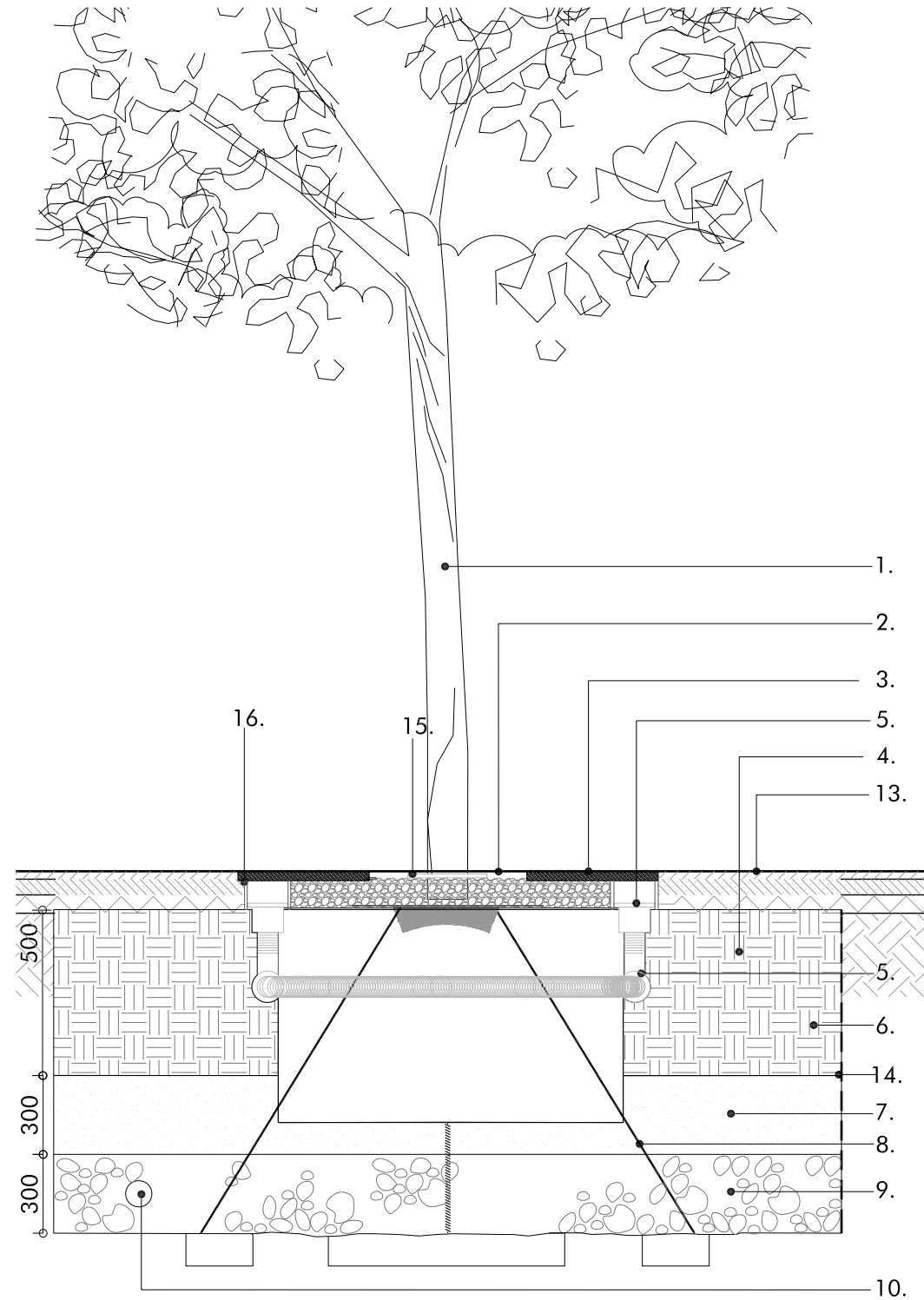
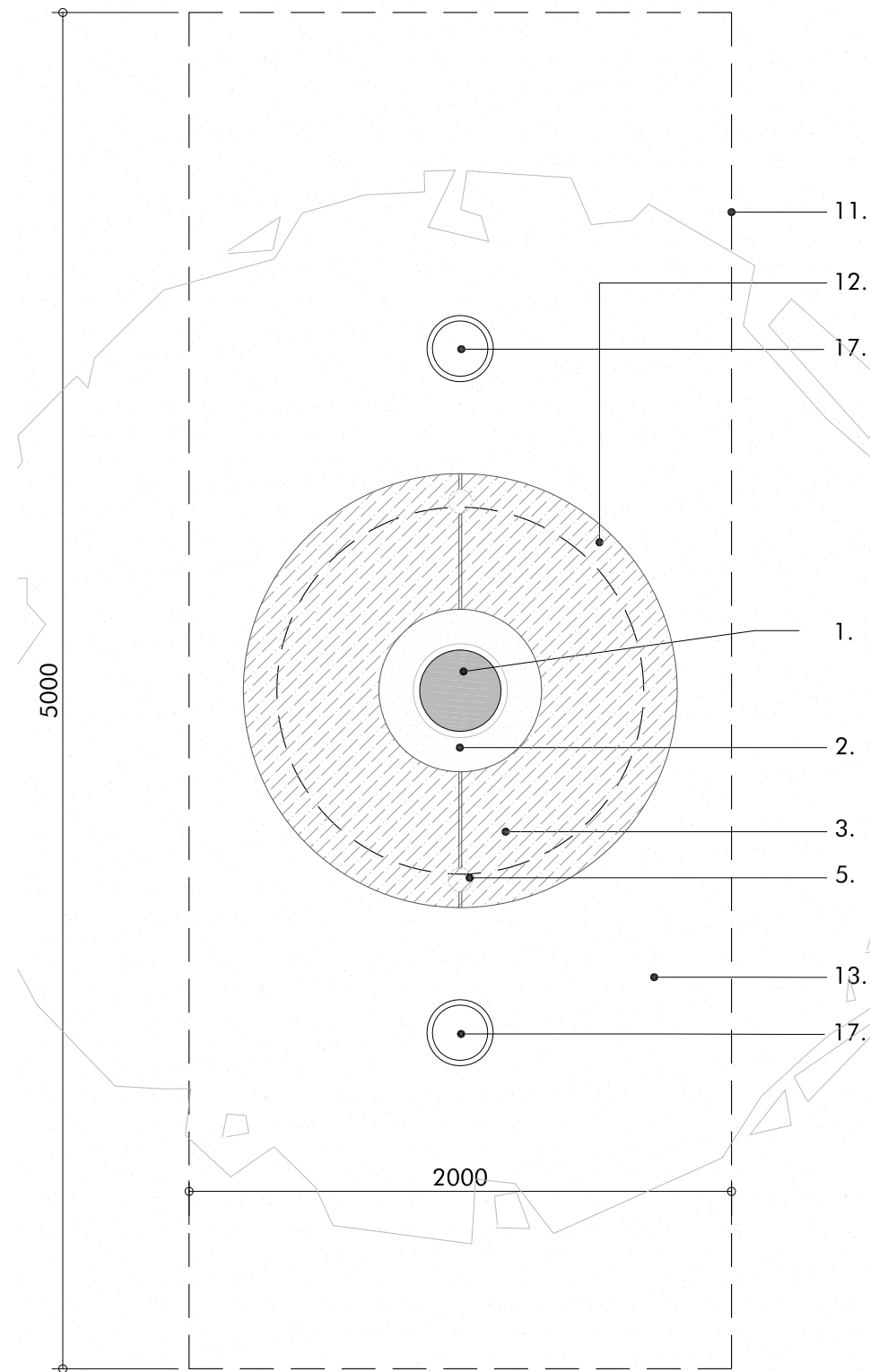


**TREE PIT IN HARD LANDSCAPE**

**Section 1:25**



**Plan 1:25**



**Notes**

1. Semi-mature tree. To be supplied and planted in accordance with the specification. For species refer to planting plans.
2. Granite chippings, colour to match adjacent material. 15-20mm Ø.
3. Streetlife Tree Grilles CorTen Round or equal and approved. Tree surround grille be aligned parallel with paving where applicable. Refer to Specification for detail.
4. Urban Soils structural soil or similar equal and approved. Installed in accordance with the manufacturer's latest recommendations. The pit should be back-filled in 2 No. layers and compacted with a Wacker Rammer BS60Y (Jumping Jack/Elephants Foot). Approx. 20% by volume is lost on compaction, therefore Urban Soils structural soil should be put in loose to 500mm and leveled before compaction. Only one compaction per layer should be required. Special attention should be given to the edges of the tree pit. Once Urban Soils structural soil has been correctly installed it should not be driven over by site machinery etc until the pavement or final surface is laid.
5. Greenblue Urban 'RootRain Arborvent' aeration/irrigation pipe or similar equal approved, as specified. Rootrain Arborvent caps to be metal and integrated into tree grille.
6. Sides and base of tree pit to be loosened in accordance with the specification.
7. Min. 300mm RH37 medium coarse washed sand. The bottom of the rootball should sit within this layer. Installation in accordance with Urban Soils Specification.
8. Trees to be secured with Platipus Platimat anchoring system fixed to deadman anchors as specified.
9. 300mm pea gravel 5-7mm Ø as specified.
10. Positive drainage connected to surface water drainage
11. Extent of tree pit. 5000 x 2000mm. The shape of the tree pit can be adjusted but the volume set out in the specification must be achieved.
12. Extent of root ball approx. 1600mm Ø.
13. Surface material. For detail refer to GA.
14. Root Barrier. root barrier adjacent to services as required.
15. Porous Geotextile
16. Stainless steel frame fixed to manufacturers recommendations.
17. Recessed uplighters

Revision	Description	Drawn by	Checked by	Date
-	Phase 1BN draft	JR	JP	25.07.16
A	Phase 1BN RMA Submission	JR	GG	03.03.17
B	Phase 1BN RMA Submission	JR	GG	29.03.17

**Macgregor • Smith**  
Landscape Architecture



**Note**  
To be read in conjunction with Macgregor Smith Base and Soft Landscape Specification  
PLEASE SEE NOTES ATTACHED AT DRAWING NOTE Q1

project	Brent Cross Cricklewood Brent Riverside Park	drawn by	JR
status	Phase 1BN RMA Submission	checked by	GG
title	Typical Tree Pit Detail Hard Landscape - Grille	date	03.03.17
Xref	-	scale	1:25@A3
drawing No	1065-03-442	revision	<b>B</b>