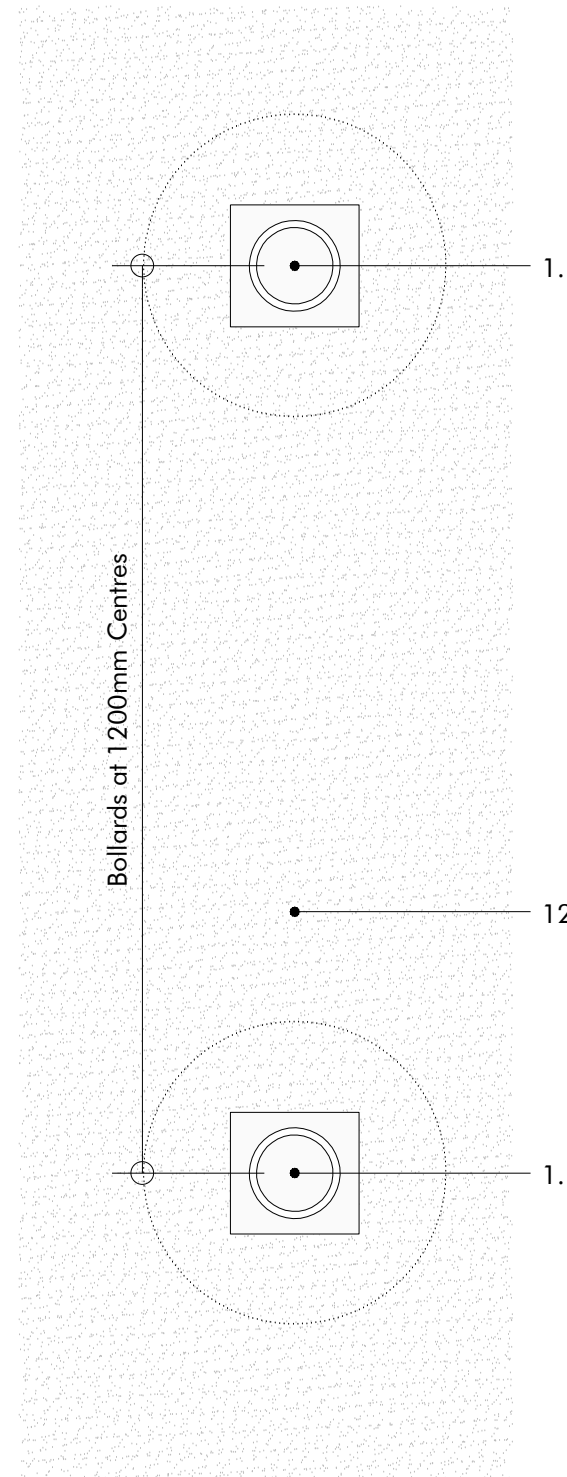
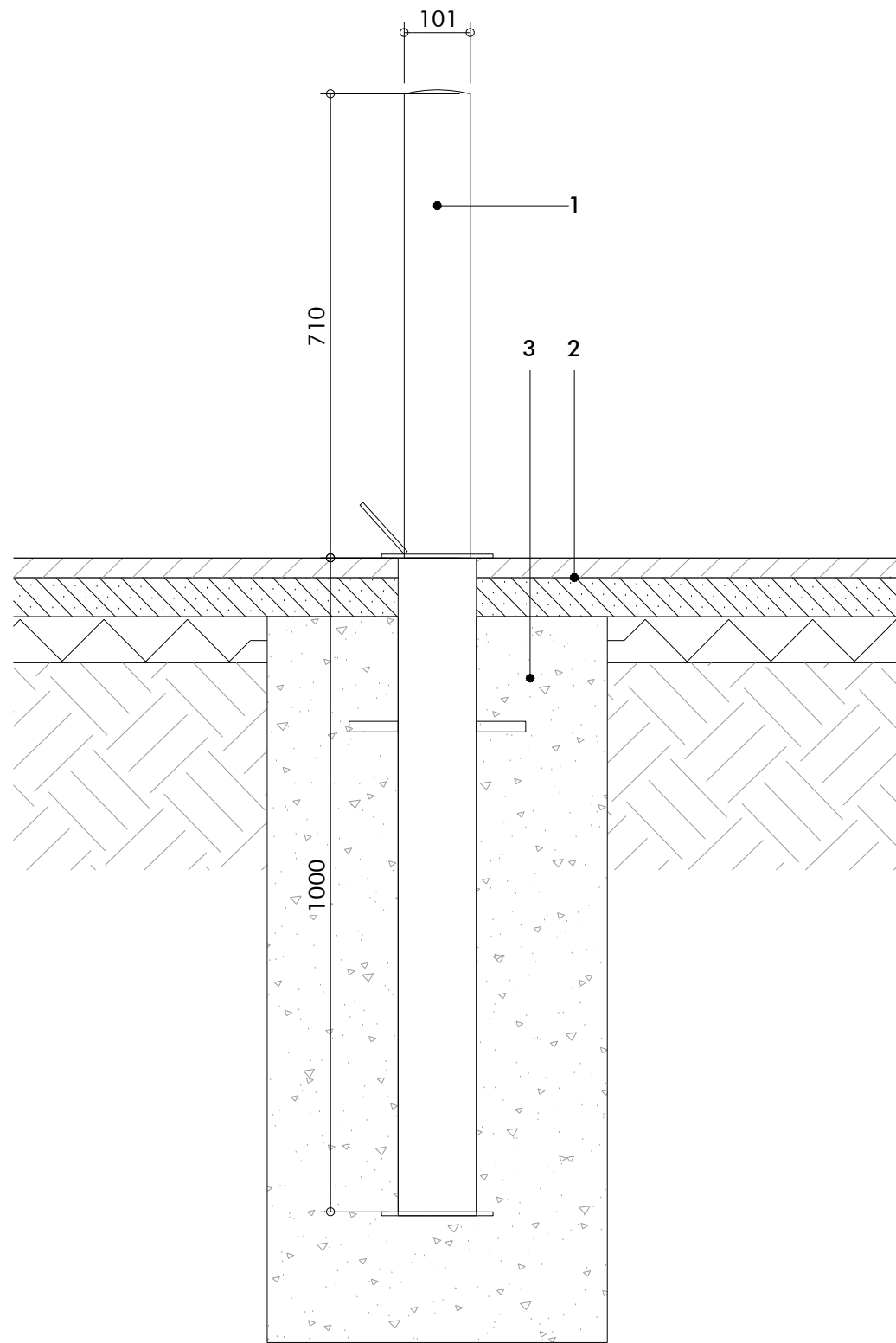


Plan of bollard with paving surround 1:10 @ A3



Key

1. Rhino RT/SS5 Lift assist Bollard or similar and approved. Brushed stainless steel finish
2. Adjacent surfacing. Refer to General Arrangement
3. Below ground fixing to concrete foundation to engineers detail and specification

Notes

- A. All paving units to be core drilled to receive bollard.
- B. All details to be read in conjunction with the General Arrangement plans and specifications

Revision	Description	Drawn by	Checked by	Date
-	Issued for Phase 1BN draft	JR	JP	03.08.16
A	Phase 1BN RMA Submission	JR	GG	03.03.17
B	Phase 1BN RMA Submission	JR	GG	23.03.17



Macgregor ▪ Smith
Landscape Architecture

project	Brent Cross Cricklewood Brent Riverside Park	drawn by	JR
status	Phase 1BN RMA Submission	checked by	JP
title	Typical Bollard Detail	date	03.08.16
Xref		scale	1:10@A3
drawing No	1065-03-453	revision	B

PLEASE SEE NOTES ATTACHED AT DRAWING NOTE Q1