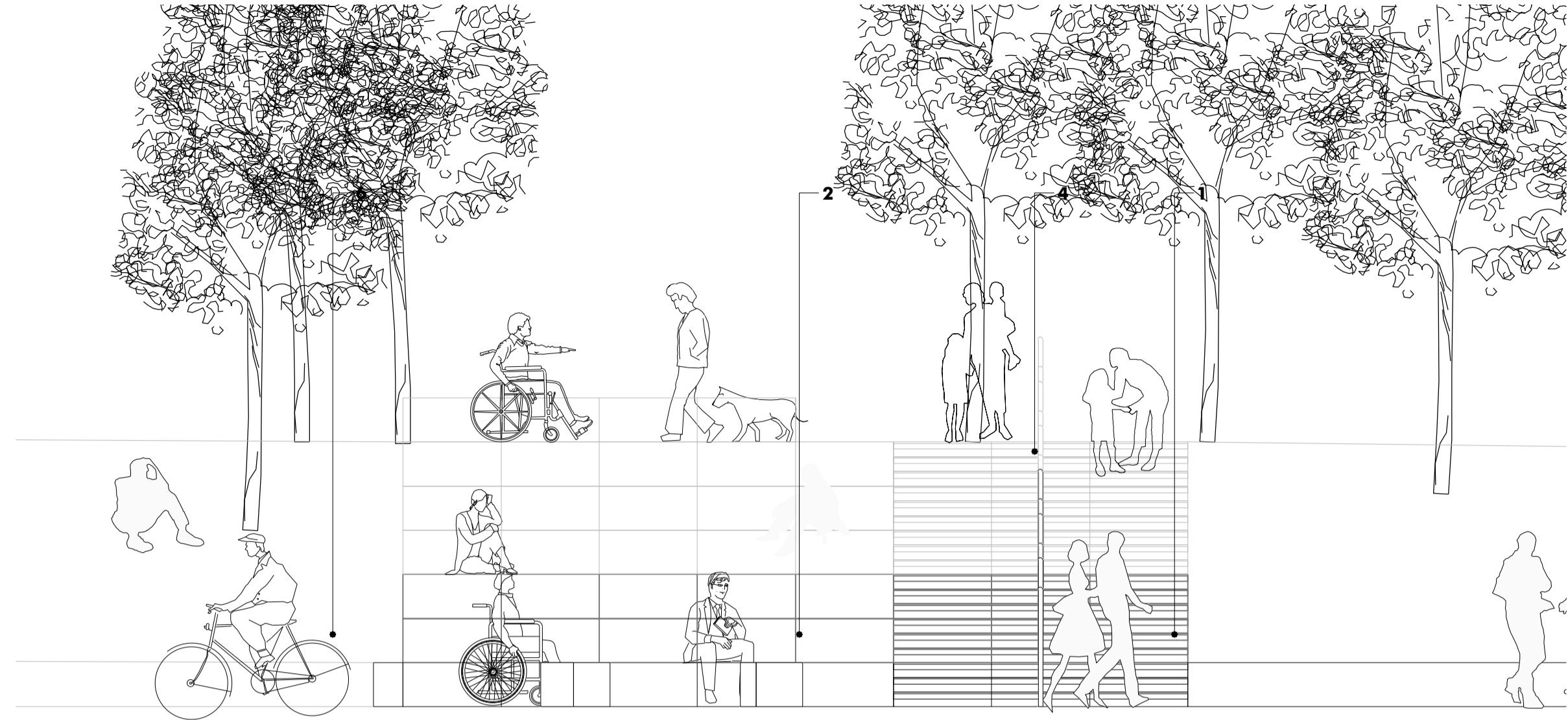


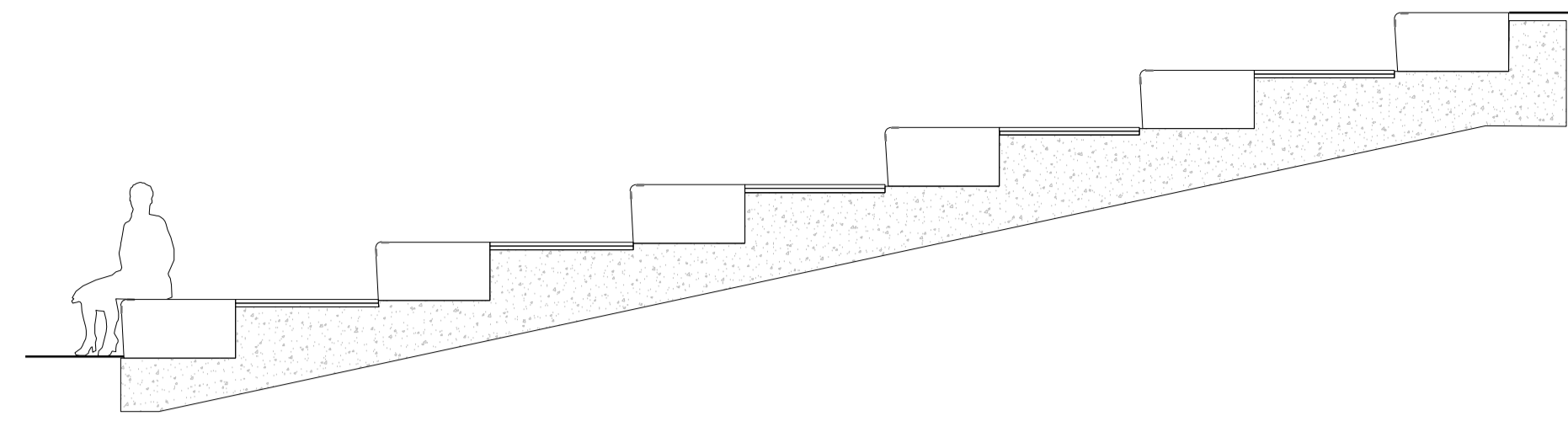
Elevation C 1:50@A1



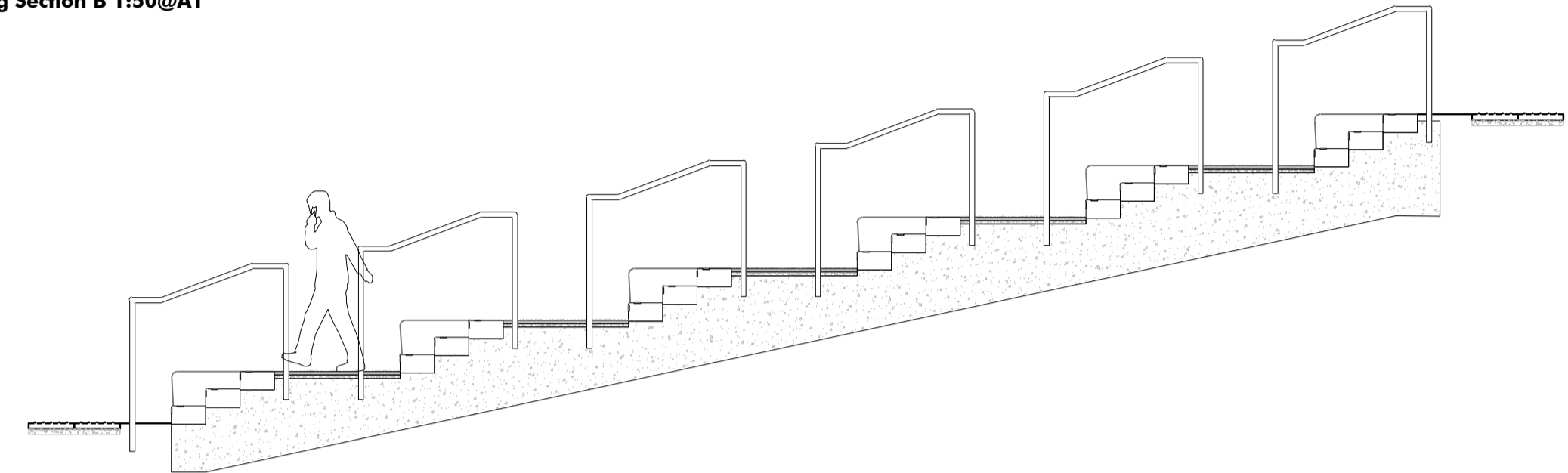
Key

- 1 Pre-cast concrete single solid step units 350mm width x 150mm depth (160mm with bedding) x 1000mm lengths, with inlaid contrasting bands on the riser and treads and bull nosing to front edge as indicated.
- 2 Pre-cast concrete seating step units 900mm width x 450mm depth (470mm with bedding) x 1000mm lengths, bull nosing to front edge as indicated.
- 3 Corduroy paving units 400mm length x 400mm, to be laid 400mm before top and bottom of steps as indicated and to best guidance.
- 4 Stainless steel handrail, Ø 45mm, Root fixed to engineers detail and specification.
- 5 Surface finish, refer to Landscape General Arrangement drawings.
- 6 Adjacent planting, refer to Planting Plans 1065-03-200 series.

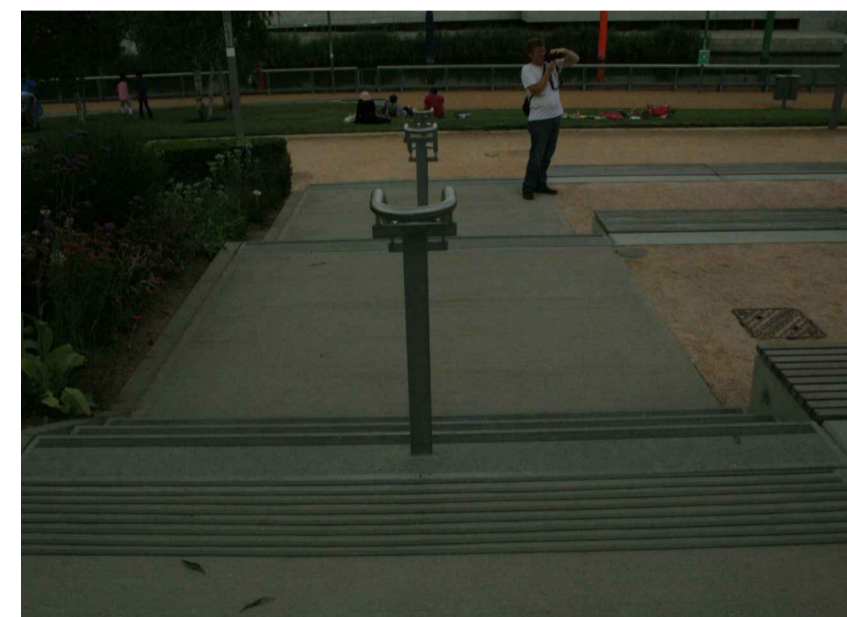
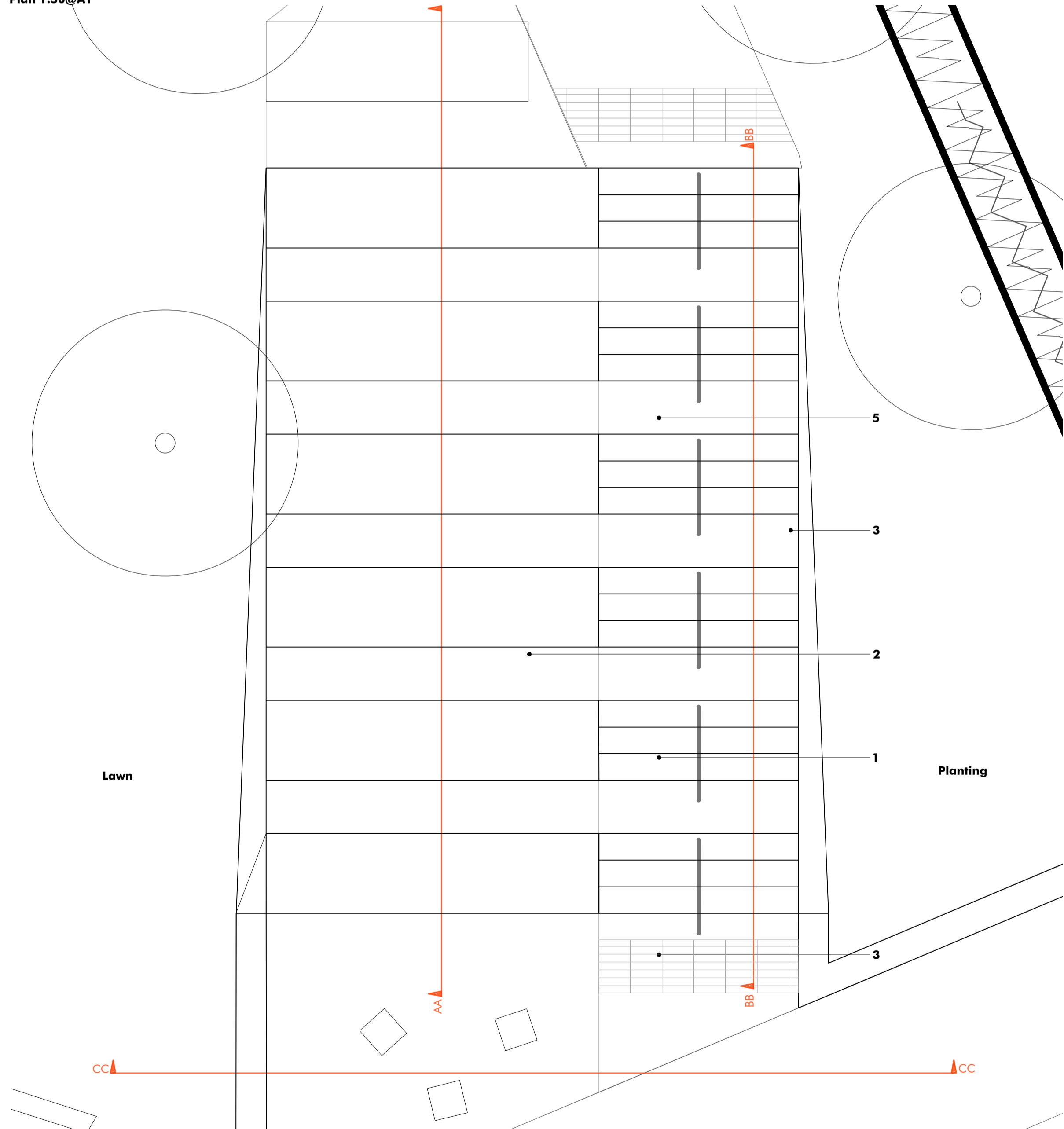
Steps Long Section A 1:50@A1



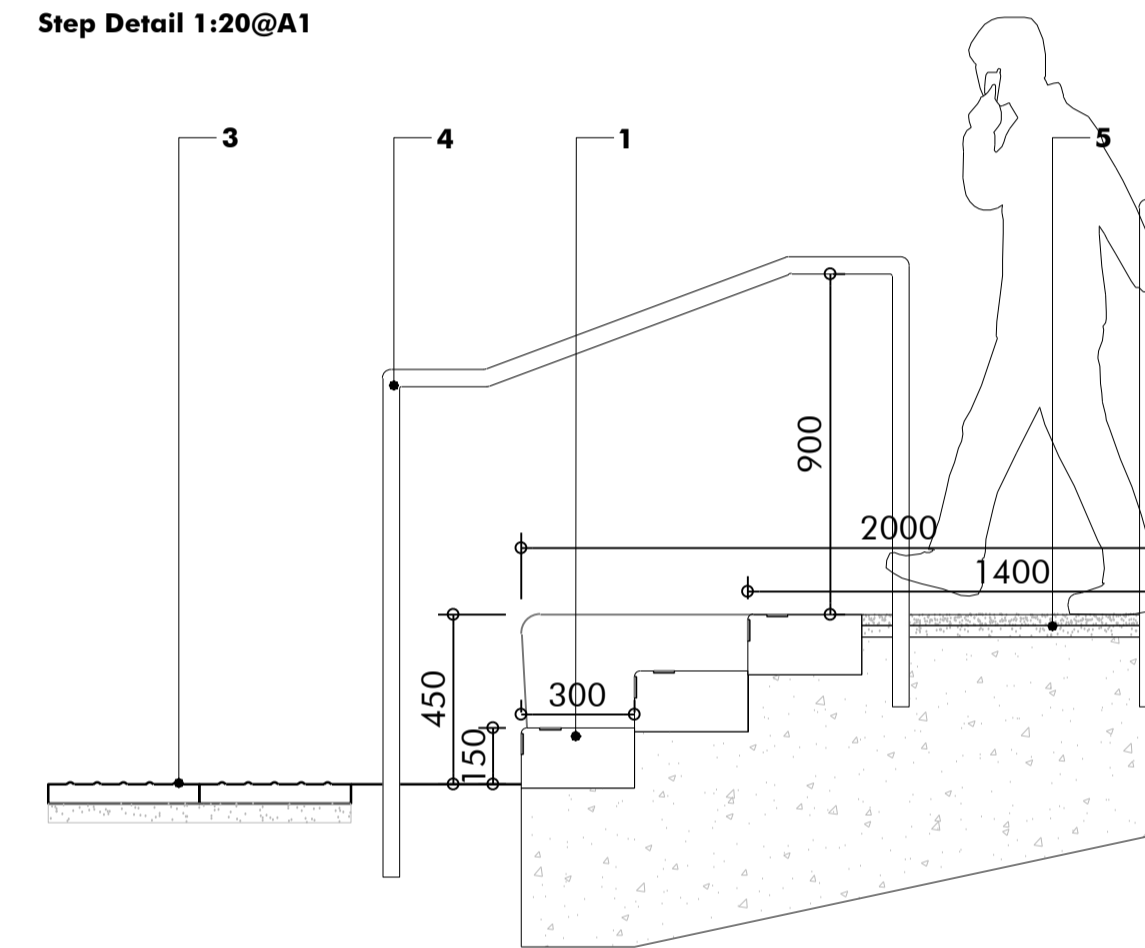
Steps Long Section B 1:50@A1



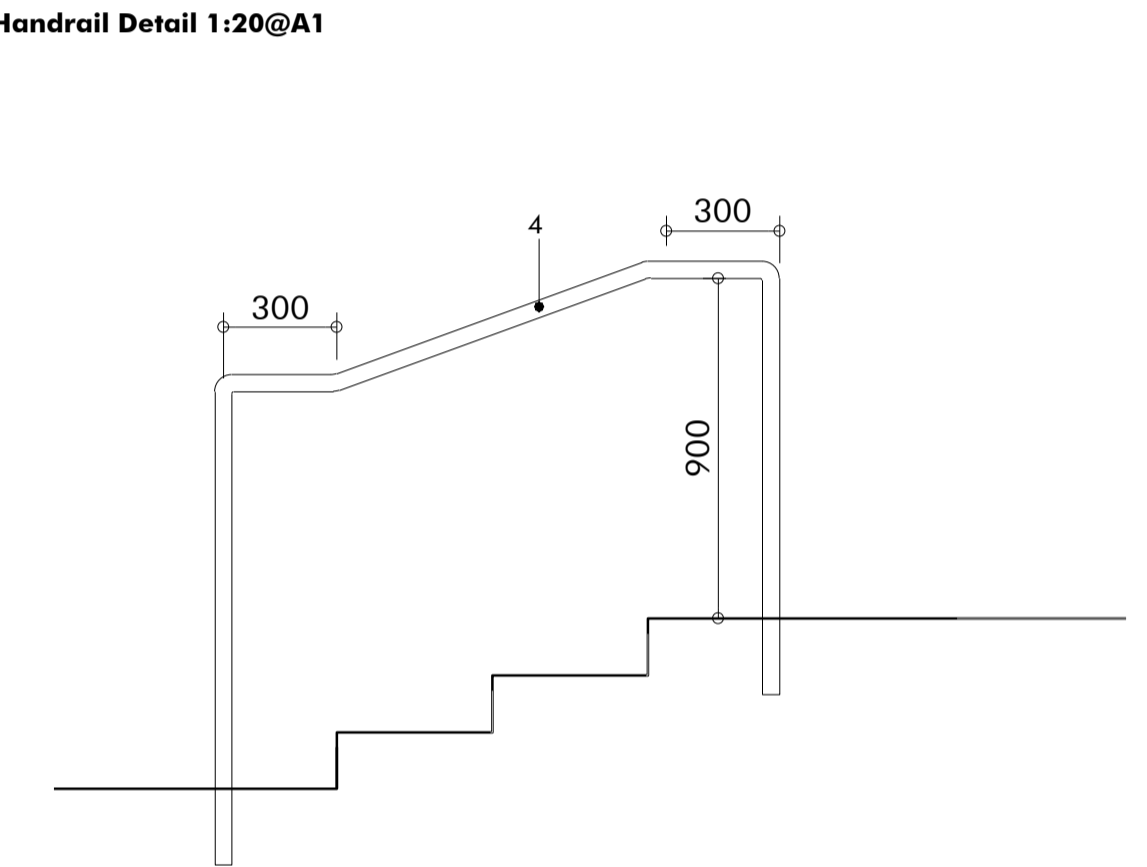
Plan 1:50@A1



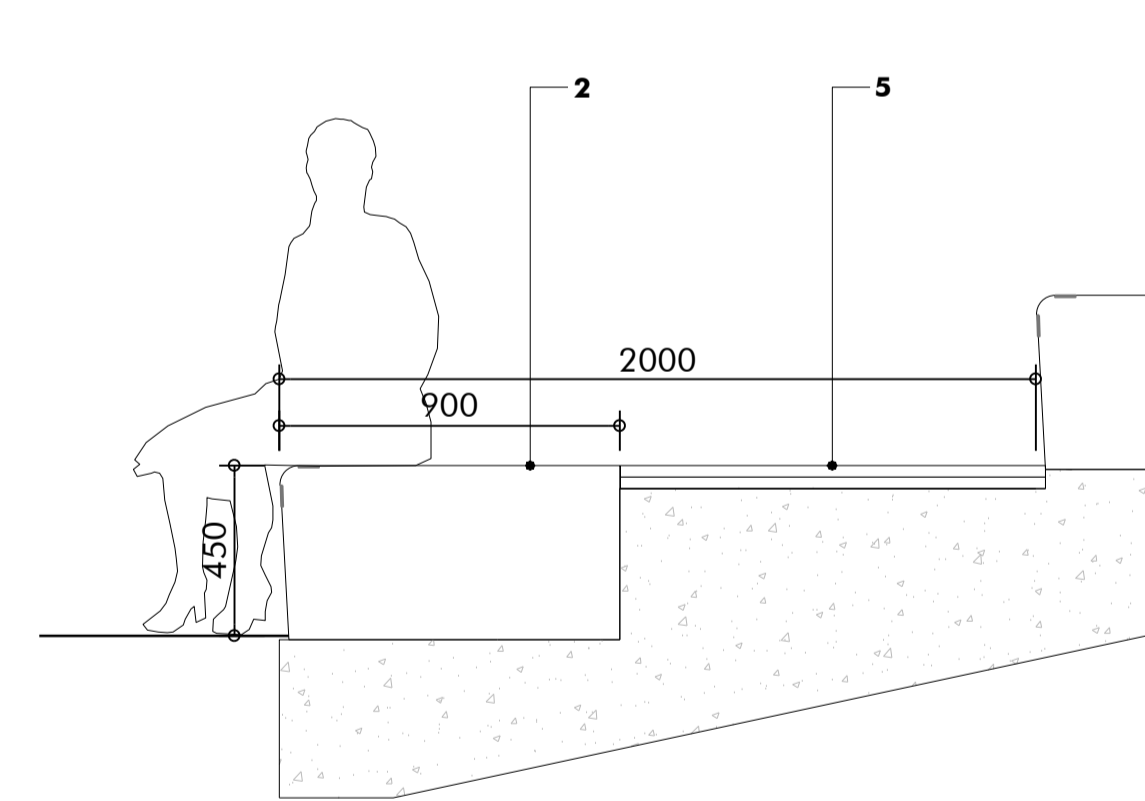
Step Detail 1:20@A1



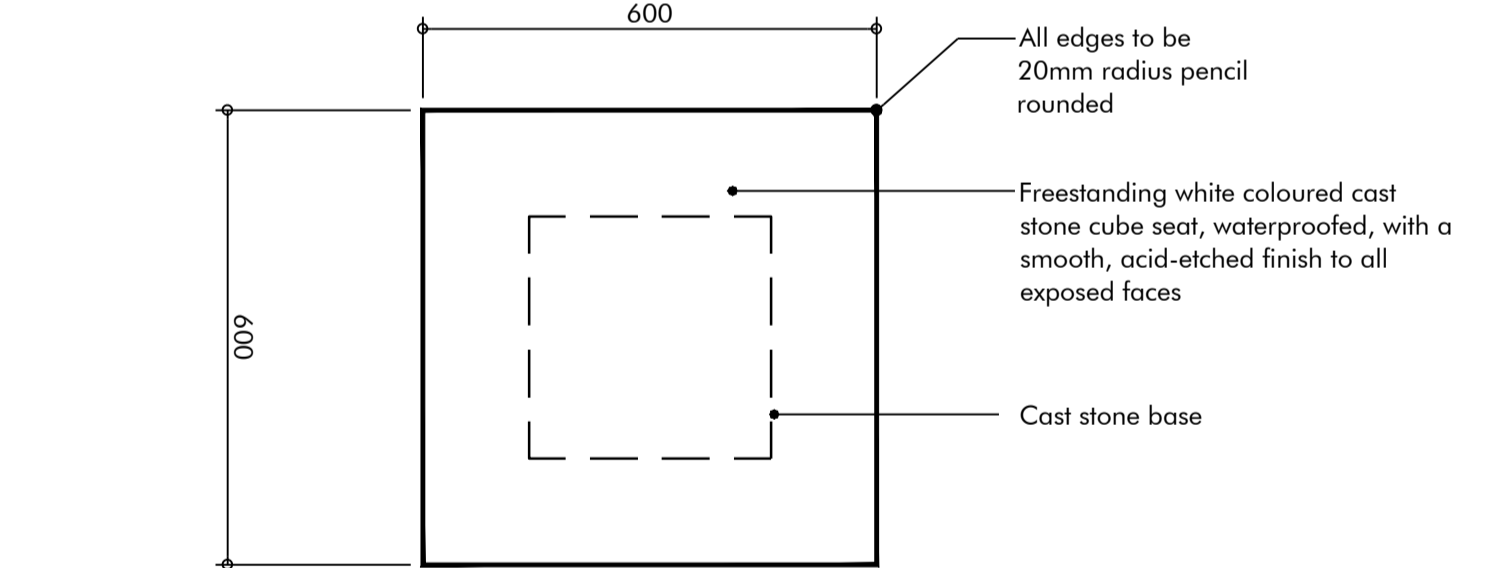
Handrail Detail 1:20@A1



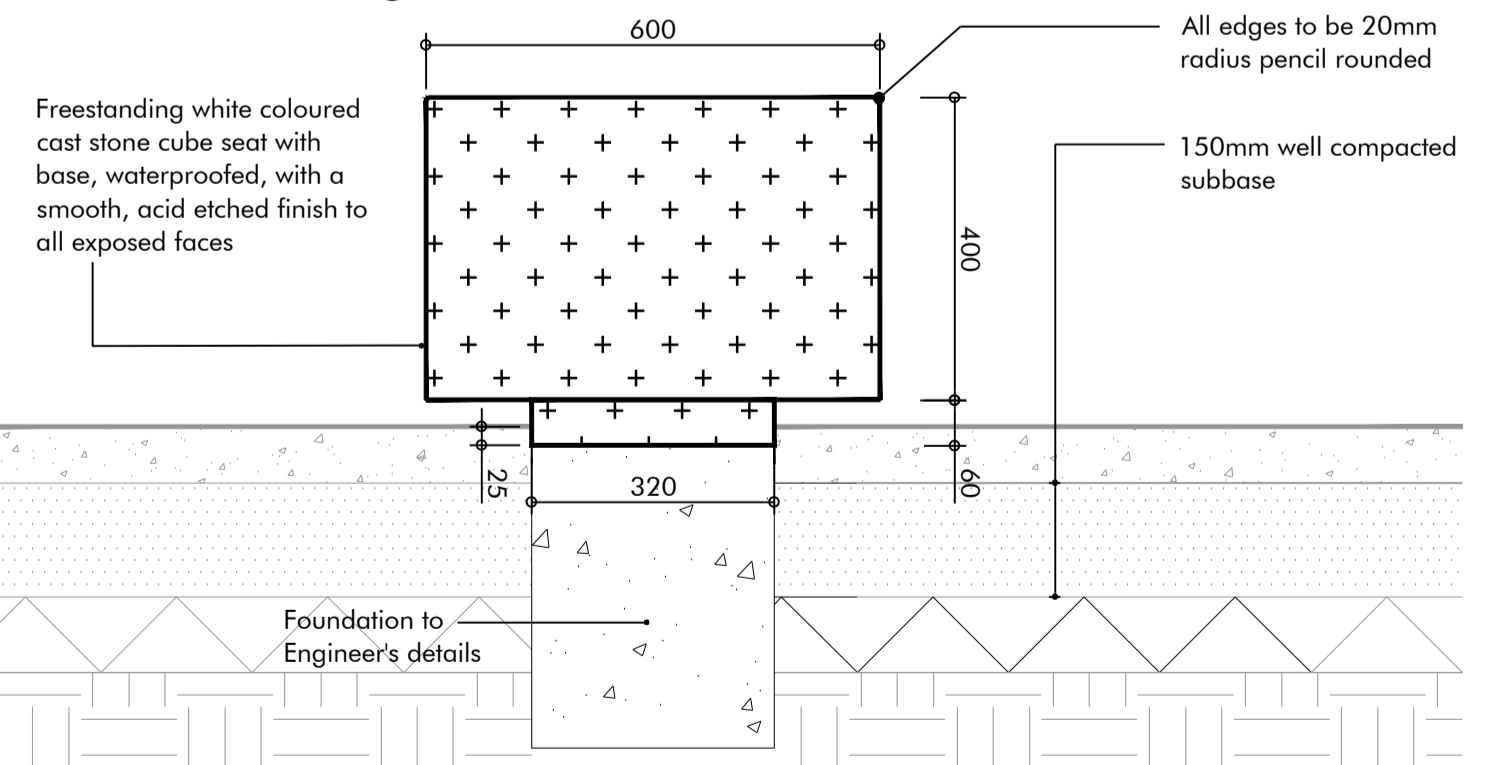
Seat Detail 1:20@A1



Cube Detail Plan 1:10@A1



Cube Detail Section 1:10@A1



Revision	Description	Drawn by	Checked by	Date
-	Draft Issue	AP	JR	20.07.16
A	Draft	JR	-	21.02.17
B	Phase 1BN RMA Submission	IM	GG	03.03.17
C	Phase 1BN RMA Submission	JR	GG	23.03.17

Macgregor • Smith
Landscape Architecture

project	Brent Cross Cricklewood Brent Riverside Park	drawn by	JR
status	Phase 1BN RMA Submission	checked by	JP
title	Typical Terrace R3 North Bank	date	02.08.16
Xref	-	scale	varies@A1
drawing No	1065-03-461	revision	C