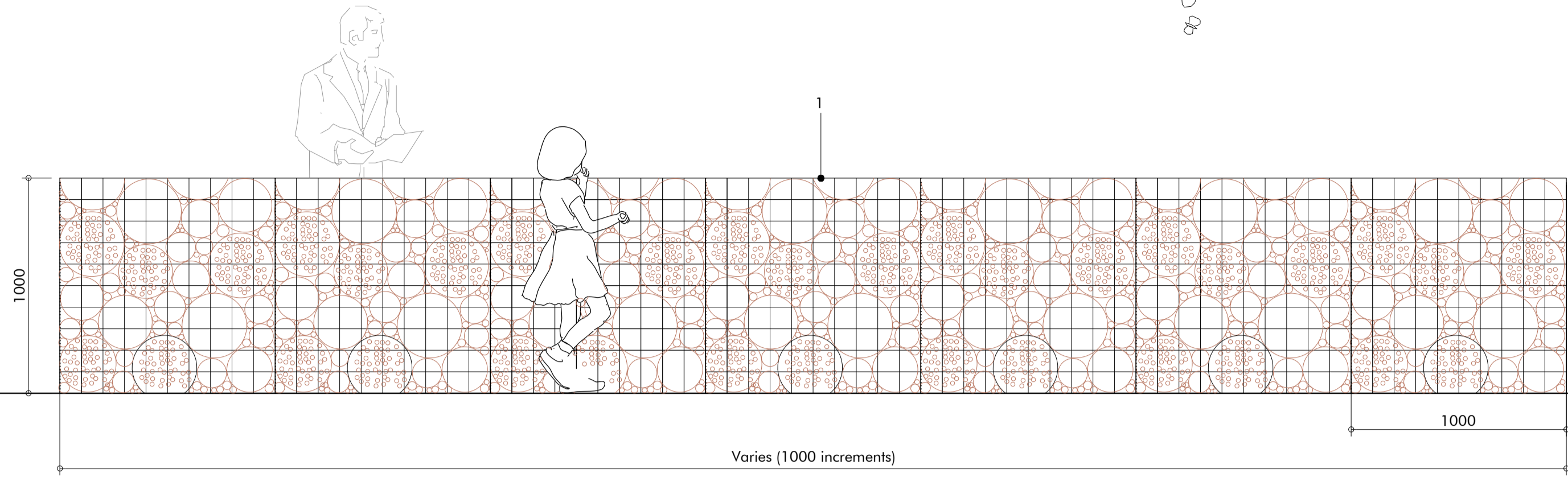
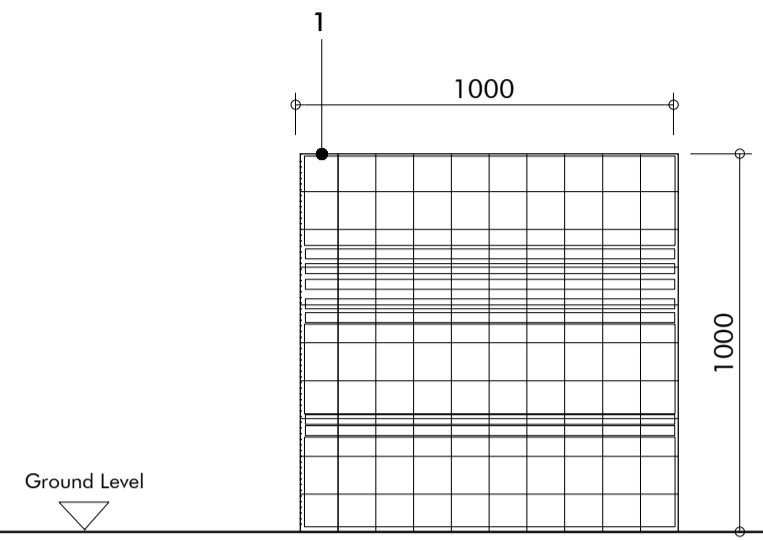


BUG HOTEL DESIGN INTENT

Bug Hotel Elevation 1:20@A1



Bug Hotel Plan 1:20@A1



Key:

Gabion baskets filled with timber log sections to create a freestanding wall.
1 x 1 m gabion baskets

Gabions to be manufactured from a hard drawn steel wire formed into a bi-axial mesh grid by electrically welding the cross wires at every intersection. All welded sharp edges to be sawn back to achieve a smooth finish. Gabions to be factory assembled with stainless steel clips connecting side panels to the base panel.

Mesh openings of 76.2 x 76.2 on the grid or similar approved

Wire diameter of 4mm to BS1052, triple life (95% Zinc 5% Aluminium) coated.

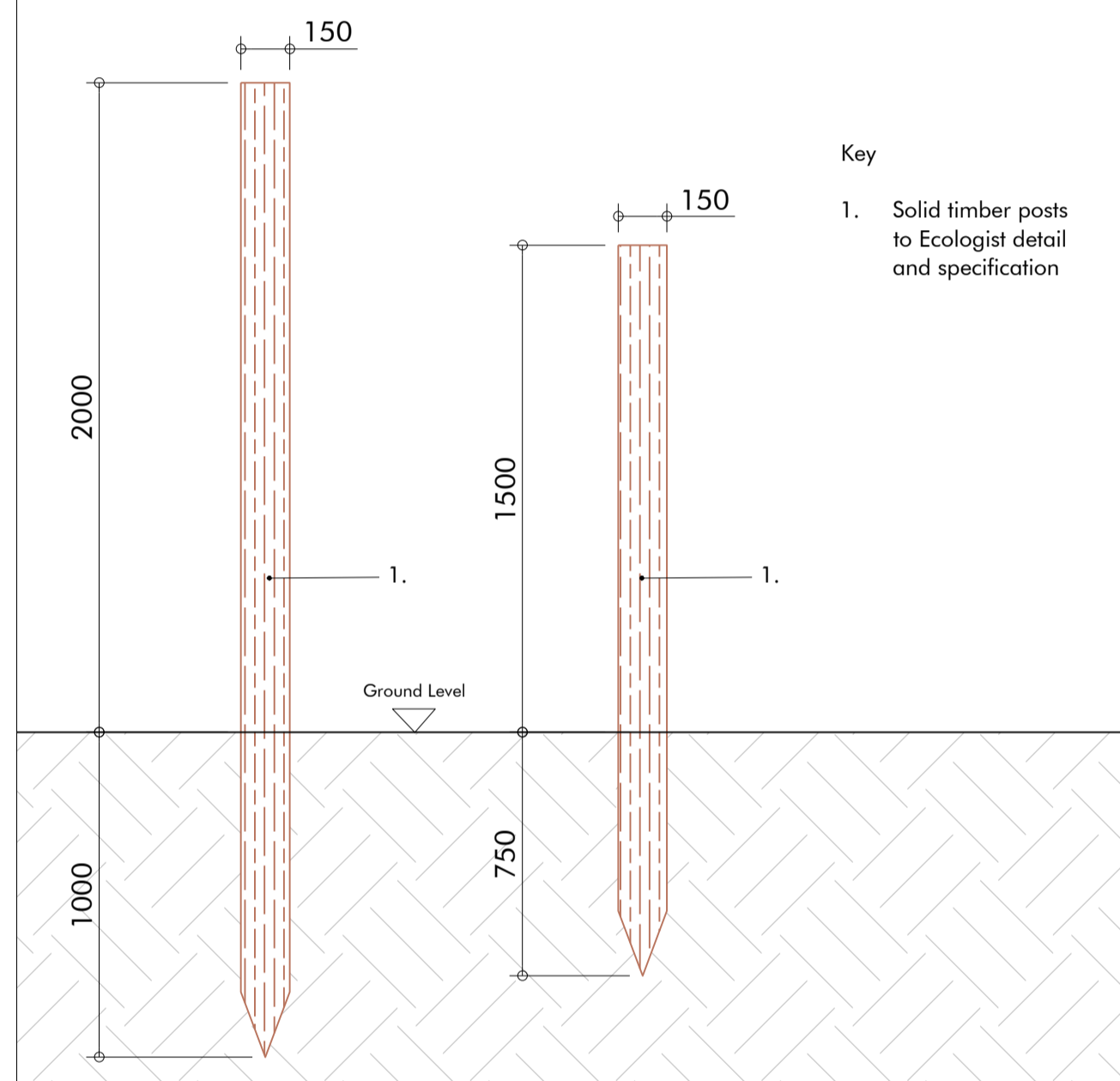
Gabions to be constructed and braced / jointed in accordance with the manufacturer's recommendations

Gabions to be filled with straight 1m length sections of timber logs. All logs shall be neatly sawn at ends and tightly packed by hand to minimise void. Ends of logs to be drilled to create habitat for bugs and invertebrates on both sides of the wall.

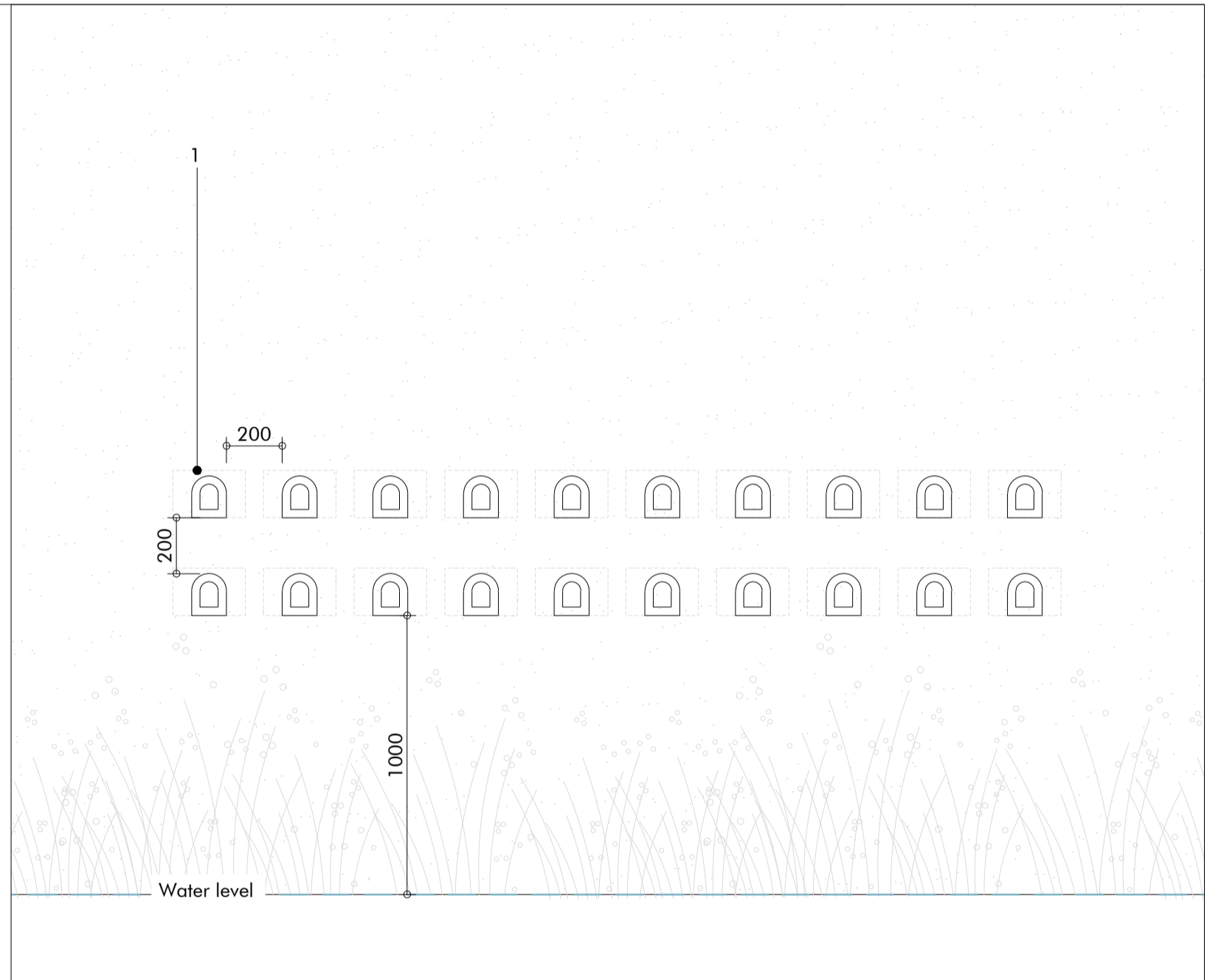
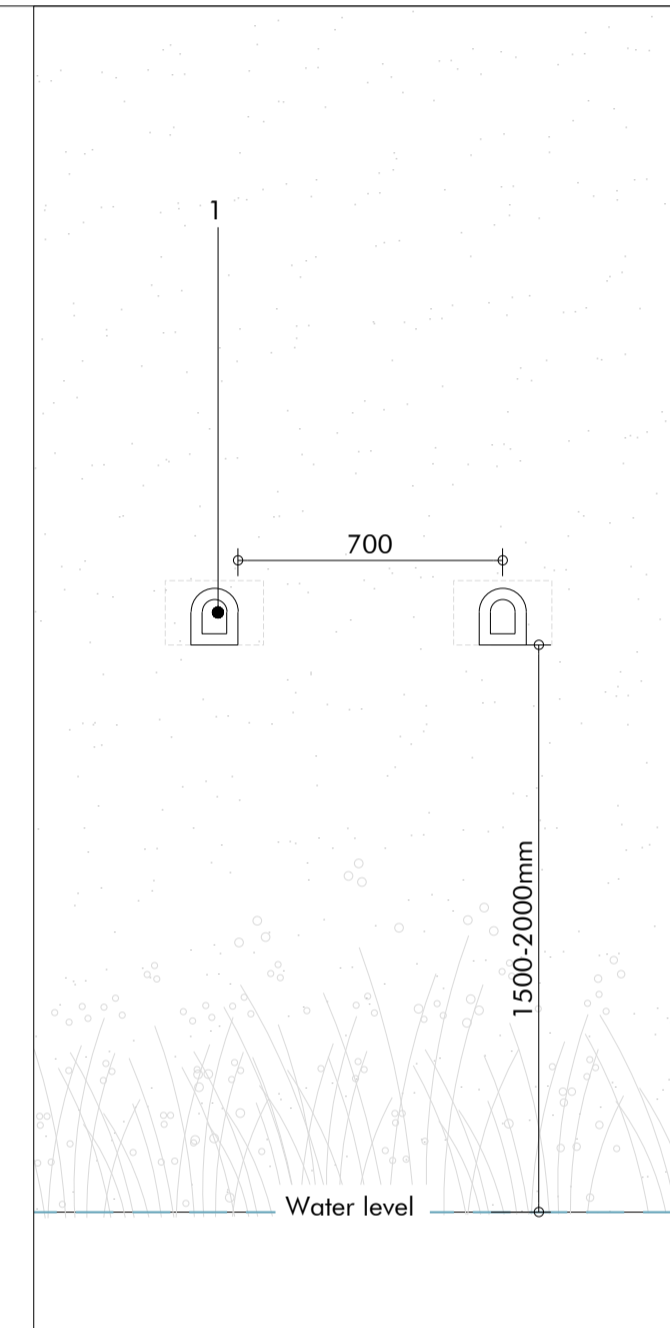
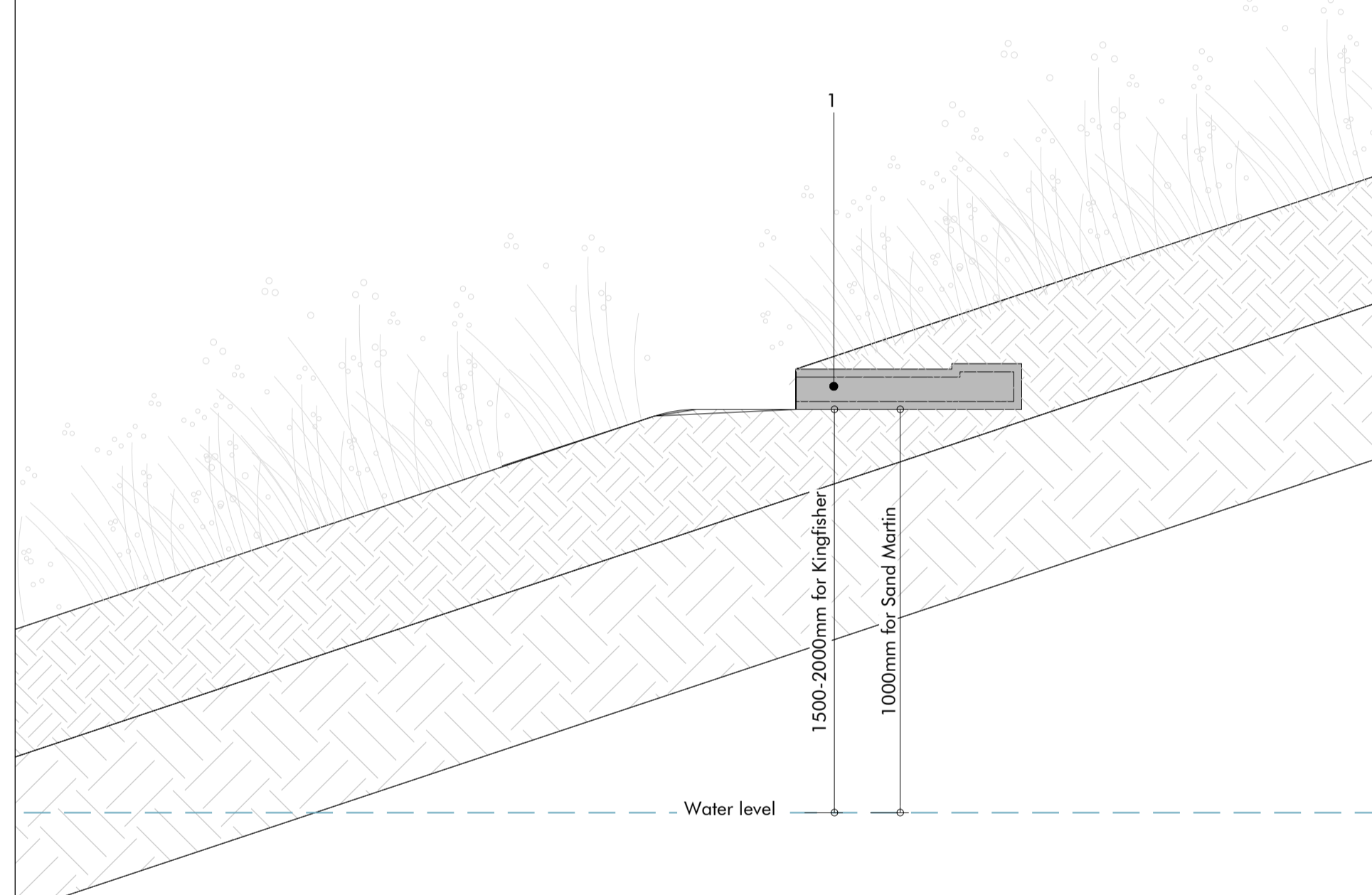
Notes:

- A. To be read in conjunction with the latest revisions of all associated drawings and specifications
- B. The contractor is to ascertain the exact location of all services prior to commencing works on site
- C. Logs taken from existing trees incorporated into log wall

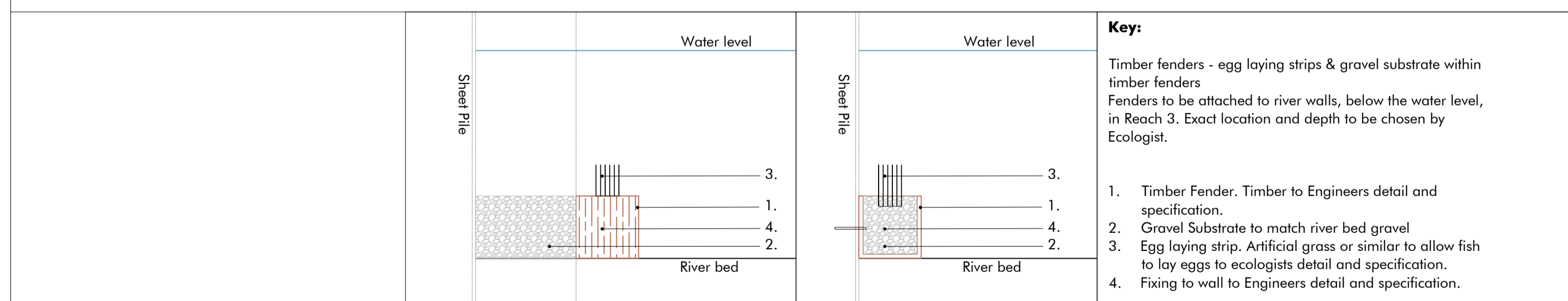
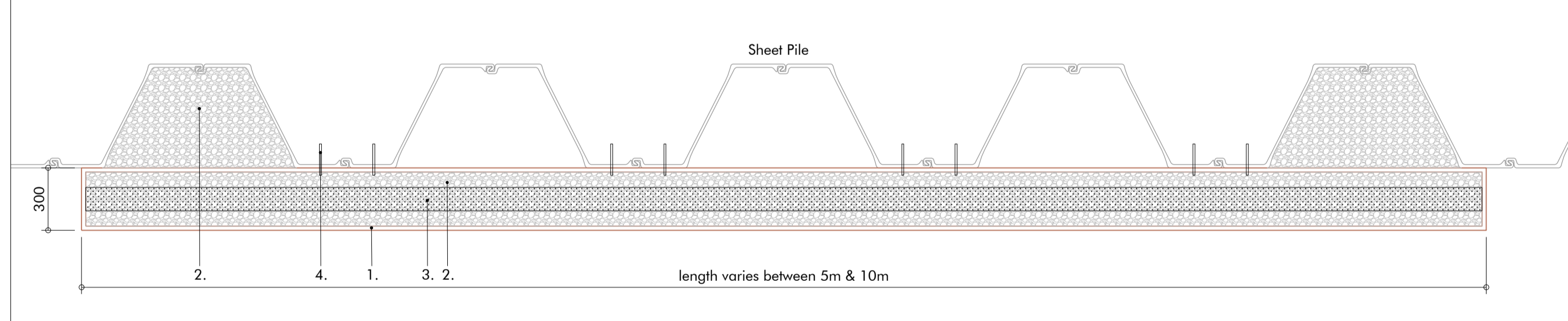
KINGFISHER PERCH DESIGN INTENT



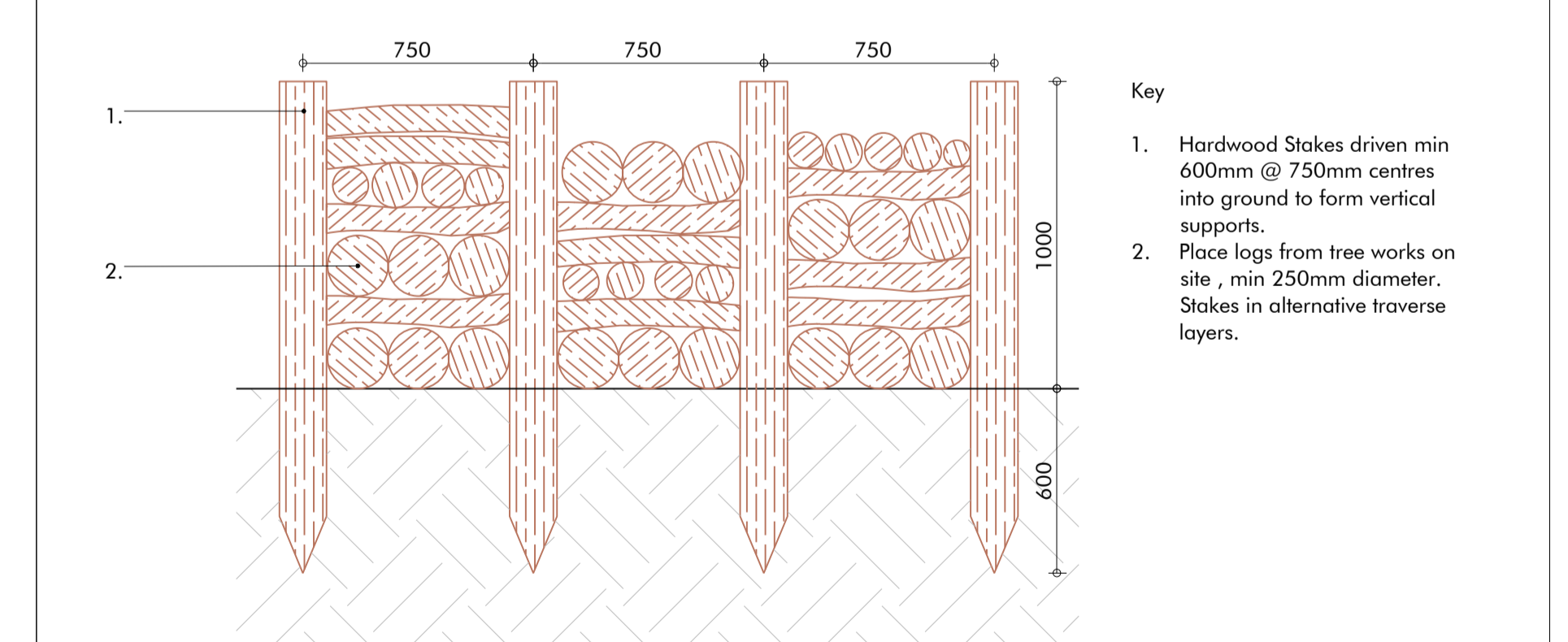
KINGFISHER & SAND MARTIN TUNNEL DESIGN INTENT



TIMBER FENDER DESIGN INTENT



LOG PILE DESIGN INTENT



Revision	Description	Drawn by	Checked by	Date
-	Phase 1BN RMA Submission	JR	GG	03.03.17
A	Phase 1BN RMA Submission	JR	GG	23.03.17

project	Brent Cross Cricklewood Brent Riverside Park	drawn by	JR
status	Phase 1BN RMA Submission	checked by	GG
title	Typical Biodiversity Elements	date	03.03.17
Xref	-	scale	var@A1
drawing No	1065-03-464	revision	A