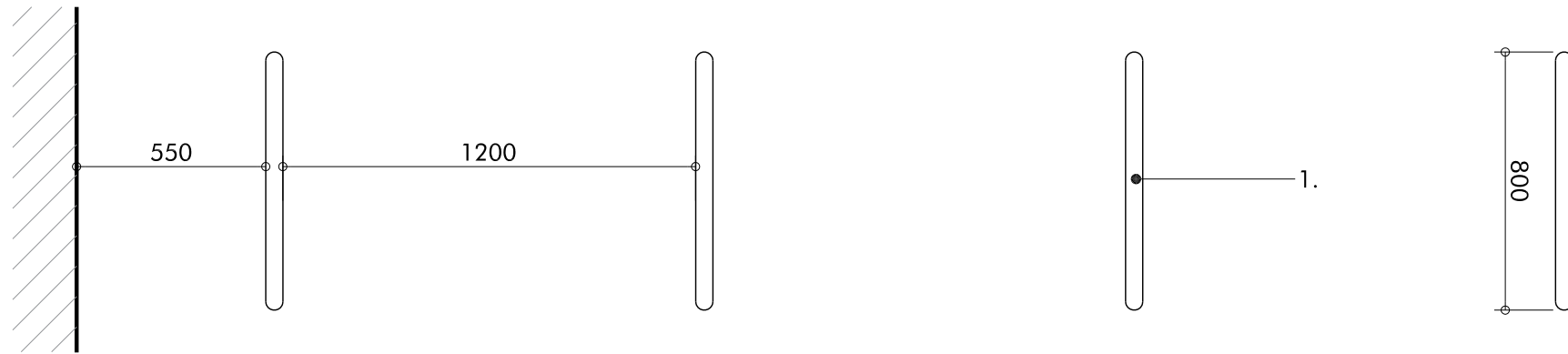


Plan 1:20@A3



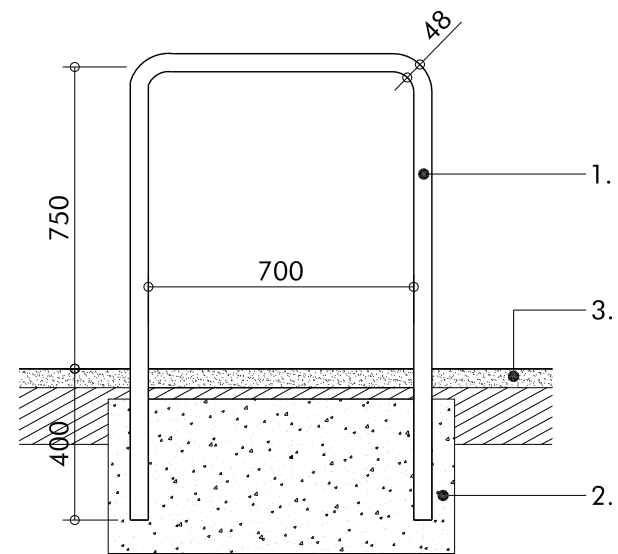
Key

1. Sheffield Style in stainless steel with epoxy resin bonding to fix tubes into foundations.

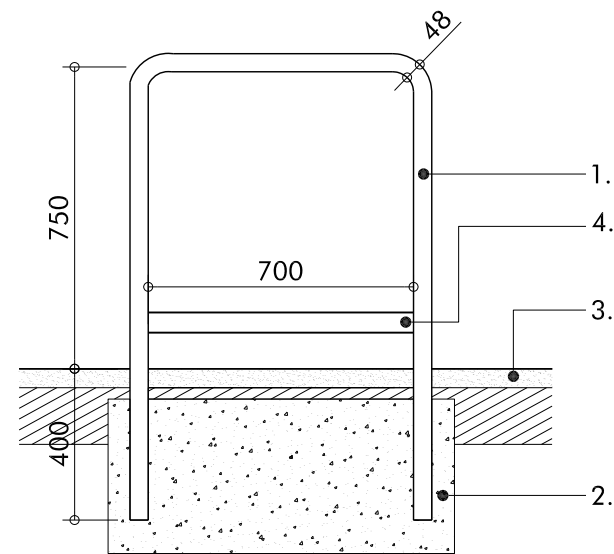
When positioned adjacent to one another, stands should be minimum 1200mm apart and 550mm from any wall or obstruction in accordance with London Cycle Design Standards.

All fixings to be below finish external level.
2. In situ concrete foundation.
3. Surface finish varies - refer to General Arrangement Plans.
Paving to be neatly core bored to receive cycle stand, where applicable.
4. Stainless steel plate for cycle racks at end of runs.

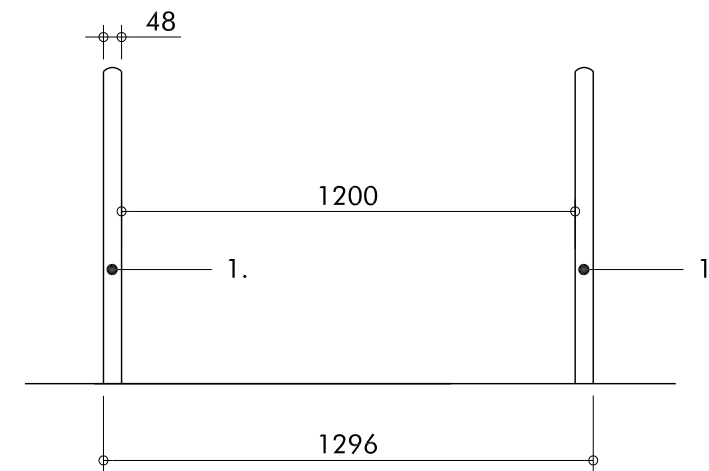
Side Elevation - Standard Racks 1:20@A3



Side Elevation - End of Run Racks 1:20@A3



Front Elevation 1:20@A3



Revision	Description	Drawn by	Checked by	Date
-	Draft Phase 1BN RMA Submission	IM	GG	03.03.17
A	Phase 1BN RMA Submission	KR	GG	29.03.17



project	Brent Cross Cricklewood	drawn by	IM
status	Phase 1BN RMA Submission	checked by	GG
title	Typical Cycle Stand Detail	date	03.03.17
Xref	-	scale	1:20@ A3
drawing No	1065-15-405	revision	A

Macgregor • Smith
Landscape Architecture



PLEASE SEE NOTES ATTACHED AT DRAWING NOTE Q1