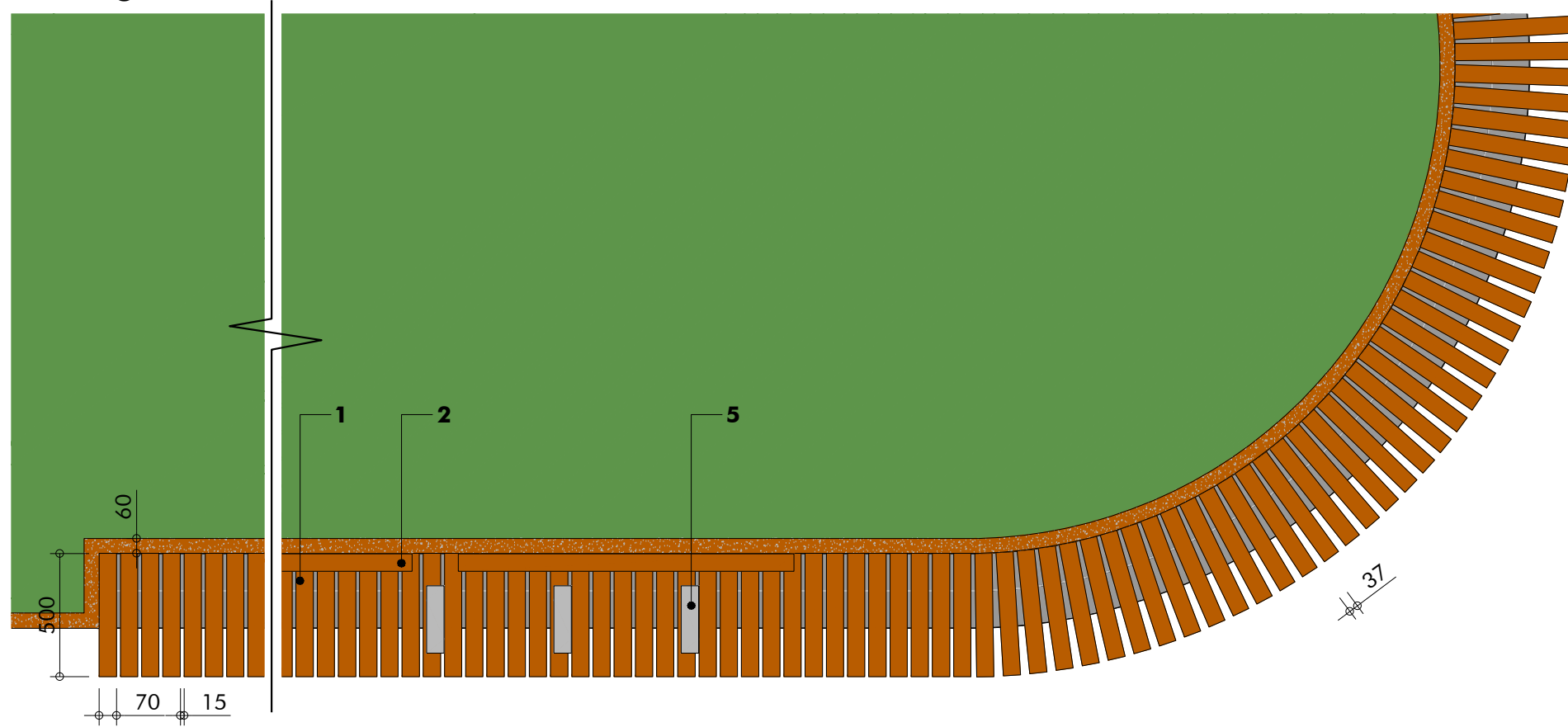


Plan 1:25@A3

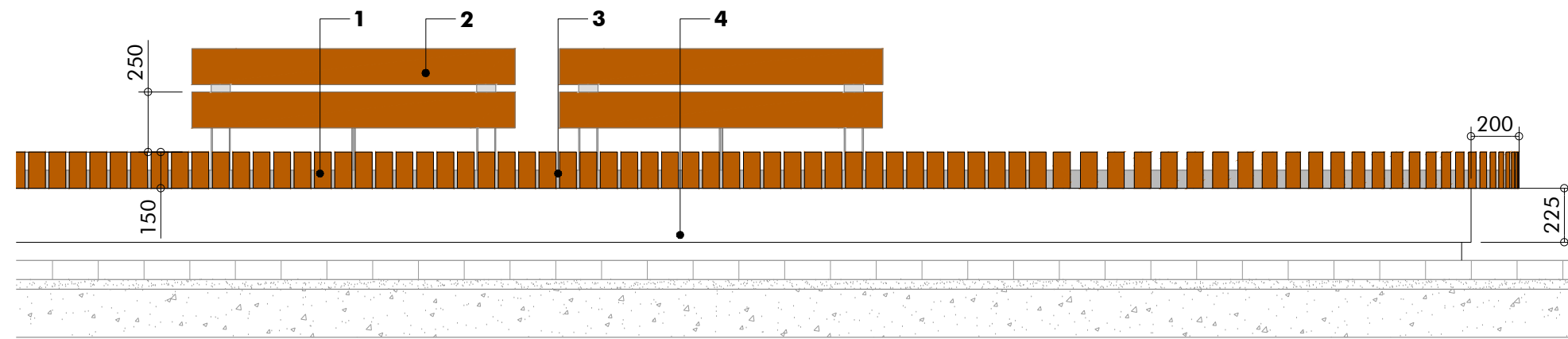


KEY

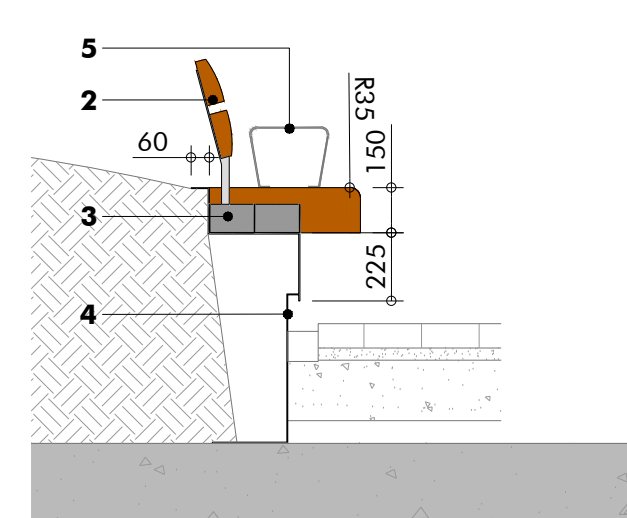
Seating Type 3 - Bespoke Streetlife 'Tree Isle' seating or similar approved

- 1** FSC tropical hardwood timber battens
500mm length x 70mm width x 150mm depth spaced with 15mm gaps
All timber seating units to be planed smooth and have a Ø70mm rounded front edge as shown in the detail
- 2** FSC tropical hardwood backrest along straight sections
- 3** Timber battens to be fixed to theft-proof steel comb system
- 4** Profiled vertical corten metal sheet to form planter edge
Refer to drawing 1065-15-424
Recessed edge to be horizontally aligned at all joints to provide a constant edge
- 5** Galvanised steel armrests

Elevation 1:25@A3



End Elevation 1:25@A3



Revision	Description	Drawn by	Checked by	Date
-	Draft Phase 1BN RMA Submission	SP	GG	03.03.17
A	Phase 1BN RMA Submission	KR	GG	29.03.17



Macgregor • Smith
Landscape Architecture



project	Brent Cross Cricklewood	drawn by	SP
status	Phase 1BN RMA Submission	checked by	GG
title	Living Bridge Approach North Typical Seating Type 3	date	03.03.17
Xref	1065-15-006, 1065-15-506	scale	1:25@a3
drawing No	1065-15-423	revision	A

**To be read in conjunction with
Macgregor Smith Base and Soft Landscape Specifications**

PLEASE SEE NOTES ATTACHED AT DRAWING NOTE Q1

This drawing is protected by copyright. Contractors must check all dimensions on site. Only figure dimensions are to be worked from. Discrepancies must be reported to architect before proceeding.
Christopher House, 11-12 High Street, Bath, BA1 5AQ Tel:01225 464 690 Fax:01225 429 962 enquiries@macgregorsmith.co.uk