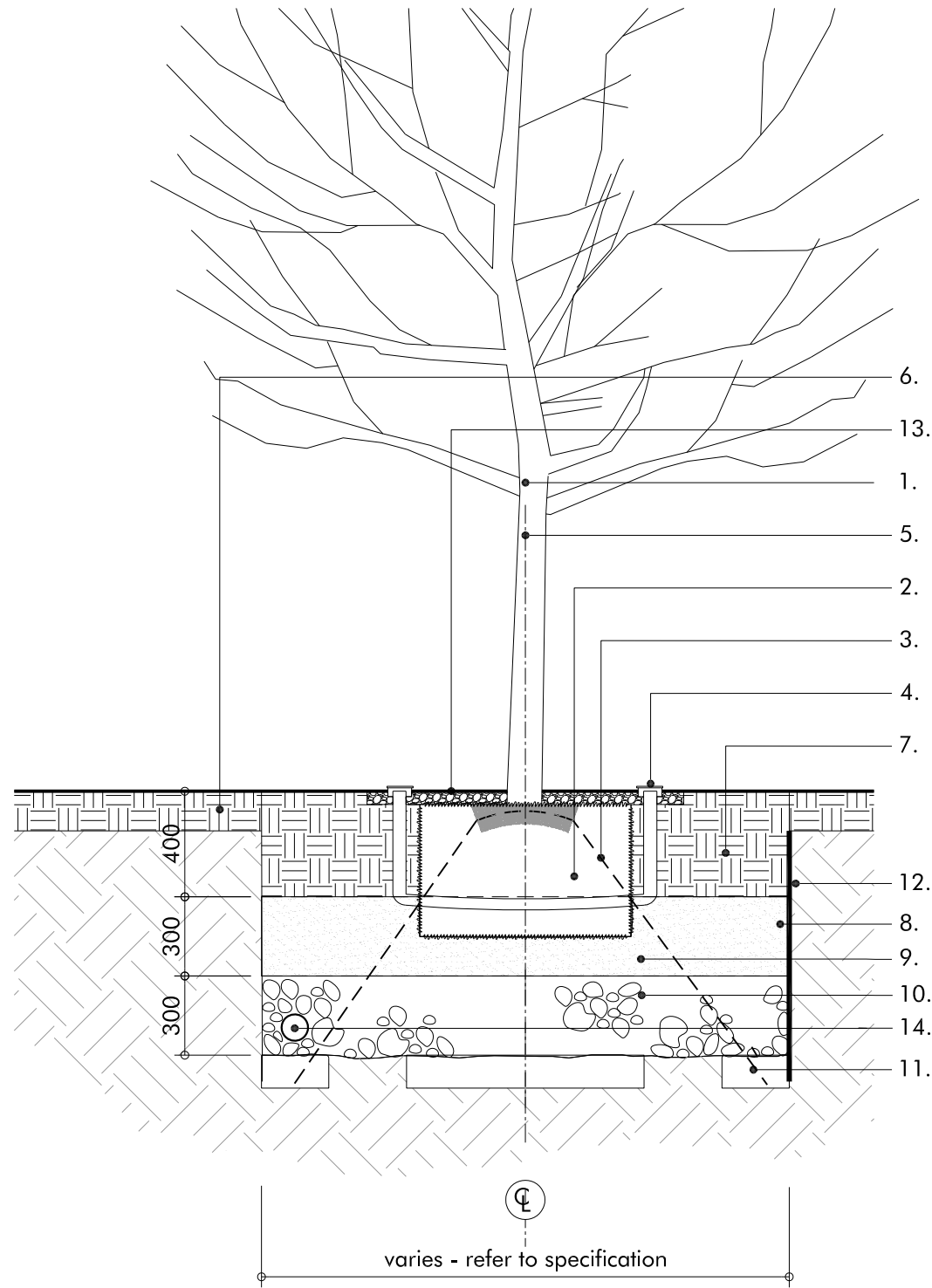
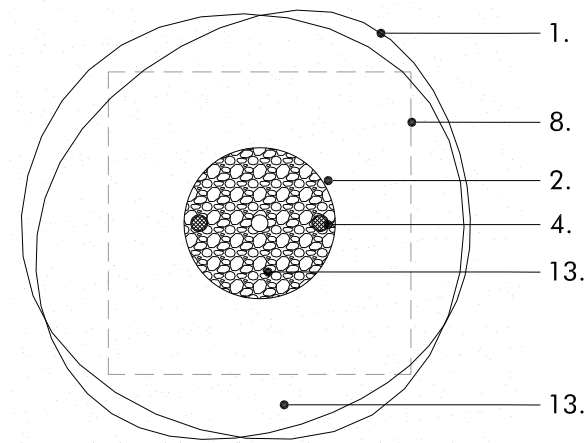


Section 1:25



Planview 1:50



Key

1. Semi-mature tree. To be supplied and planted in accordance with the specification. For species refer to separate planting plan.
2. 800-1000mm (rootball size dependent) Ø, 50mm deep bark mulch, as specified, around all trees to be planted in grass areas.
3. Trees to be secured with Platipus 'Platimat' anchoring system fixed to tree anchors, as specified.
4. Green Blue Urban 'RootRain Civic' aeration pipe, or similar approved, as specified.
5. Centre of tree pit to be marked with timber stake (Minimum 1500mm).
6. Topsoil to adjacent planting area in accordance with specification.
7. Topsoil backfill to be laid as per specification.
8. Sides and base of tree pit to be loosened in accordance with the specification.
9. 300mm RH37 medium coarse washed sand, as specified.
10. 300mm pea gravel 5-7mm Ø as specified.
11. "Deadman" anchor.
12. Root barrier adjacent to services where required.
13. Premium Grade Bark Mulch - Melcourt Ornamental Grade, in accordance with specification.
14. Positive drainage connected to surface water drainage.
15. Where possible, create interconnected tree pits or use continuous trench planting to increase overall volume of tree pit

Notes

- A. To be read in conjunction with Macgregor Smith Base and Soft Landscape Specification
- B. Please see notes attached at Drawing Notes Q1

Revision	Description	Drawn by	Checked by	Date
-	Draft Phase 1BN RMA Submission	IM	GG	03.03.17
A	Phase 1BN RMA Submission	IM	GG	29.03.17



Macgregor • Smith
Landscape Architecture



project	Brent Cross Cricklewood 1BN Sturgess Park	drawn by	IM
status	Phase 1BN RMA Submission	checked by	GG
title	Typical Tree Pit Detail Soft Landscape	date	03.03.17
Xref	-	scale	varies@A3
drawing No	1065-14-403	revision	A