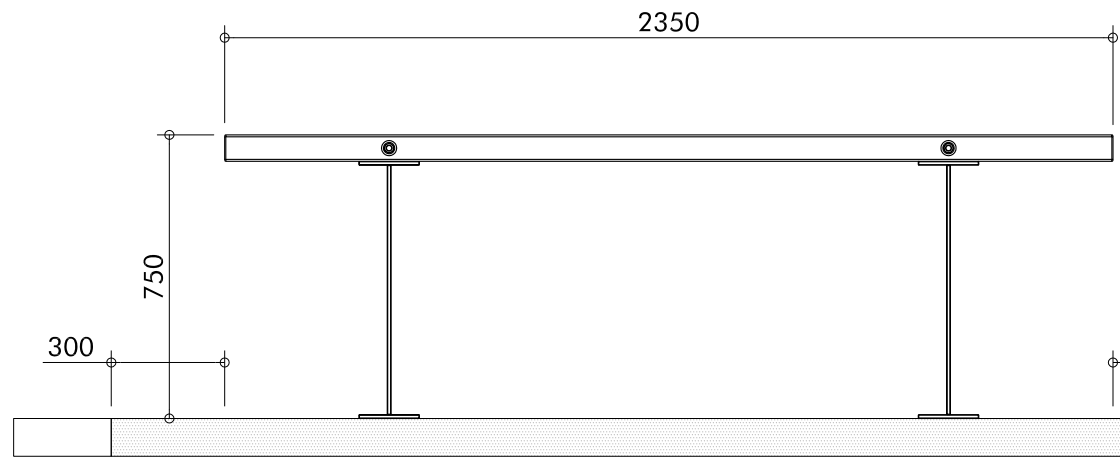
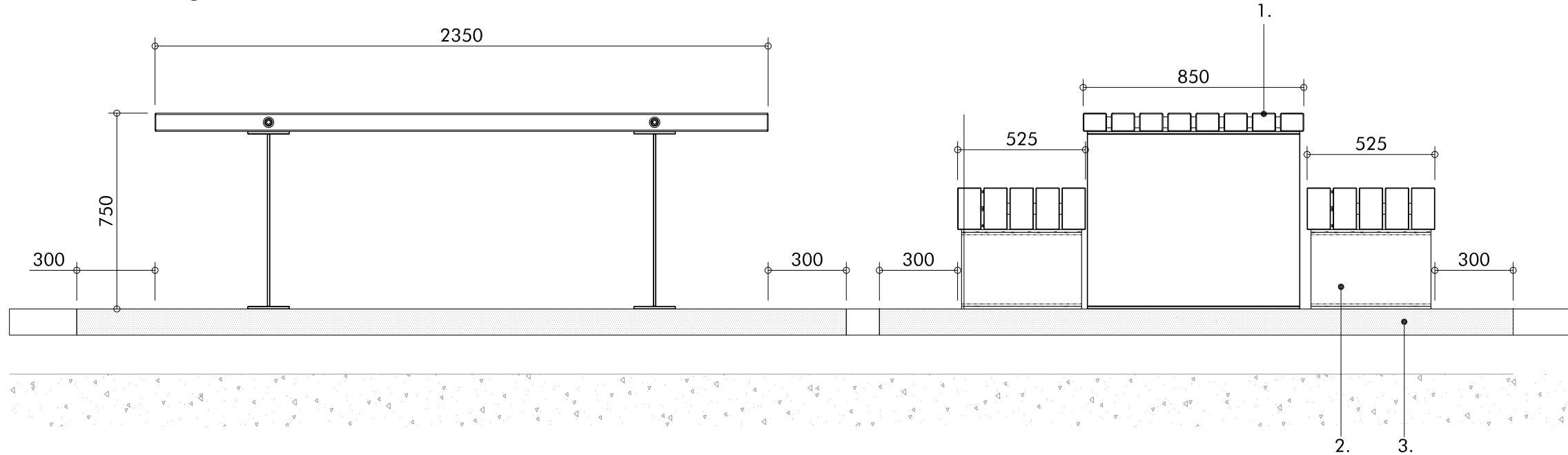


Elevation 1:20@A3



Section 1:20@A3



Key

- 1. Furnitubes Fordham 8 Seater Picnic Bench or similar and approved.
FSC tropical hardwood timber slats, smooth planed finish
- 2. Galvanised steel legs fixed to concrete base.
- 3. Concrete surface under picnic tables in grass area

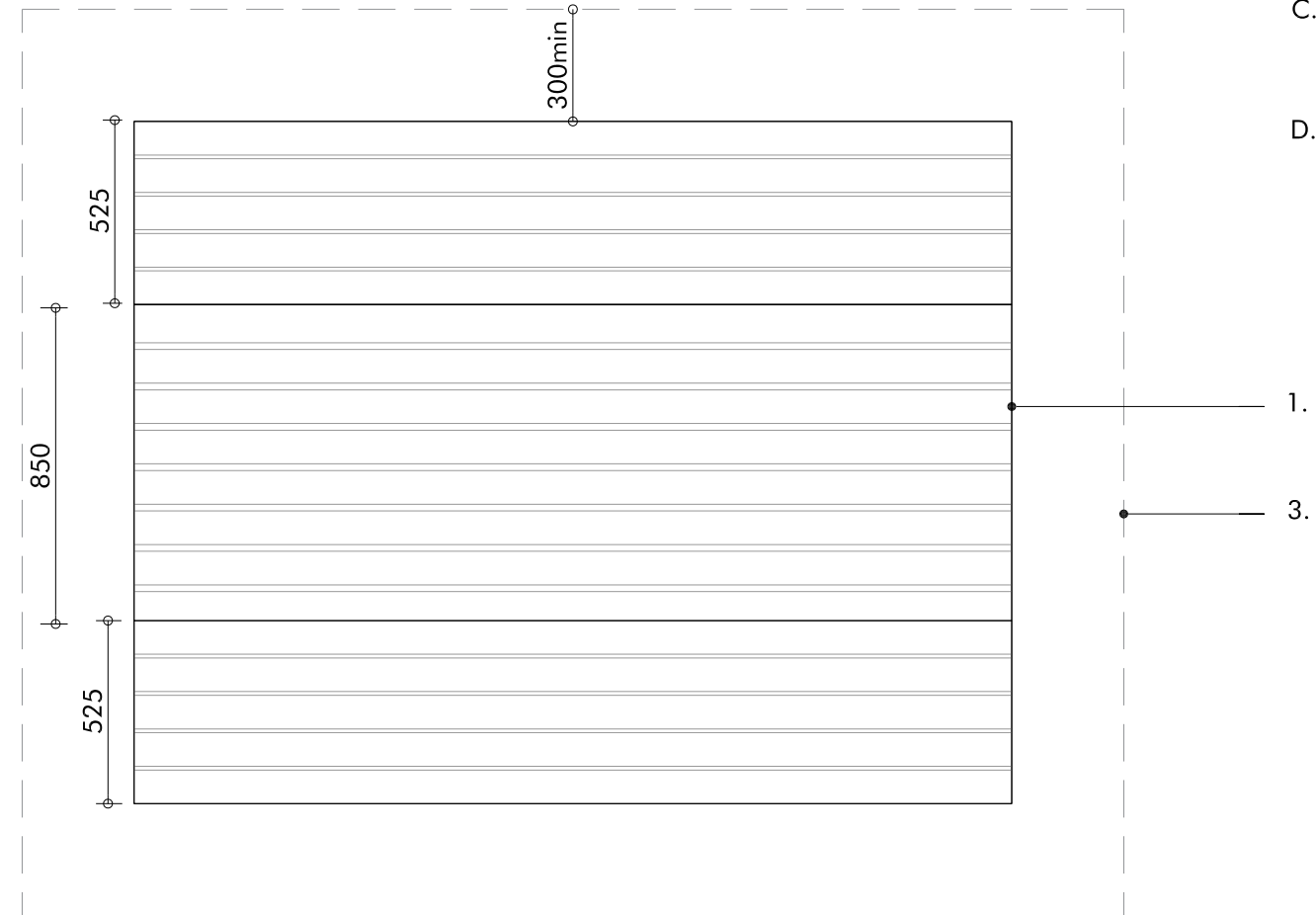
Notes

- A. All details to be read in conjunction with the General Arrangement Plans and Specifications
- B. All timber to be FSC or equal with full chain of custody.
- C. All timber to be planed, free from twists and splinters.
- D. Please see notes attached at Drawing Notes Q1.

Reference Image



Plan 1:20@A3



Revision	Description	Drawn by	Checked By	Date
-	Draft Phase 1BN RMA Submission	IM	GG	03.03.17
A	Phase 1BN RMA Submission	IM	GG	29.03.17



Macgregor • Smith
Landscape Architecture



project	Brent Cross Cricklewood 1BN Sturgess Park	drawn by	IM
status	Phase 1BN RMA Submission	checked by	GG
title	Typical Seating Type 3 - Picnic Bench	date	03.03.17
Xref	-	scale	1:20@A3
drawing No	1065-14-413	revision	A