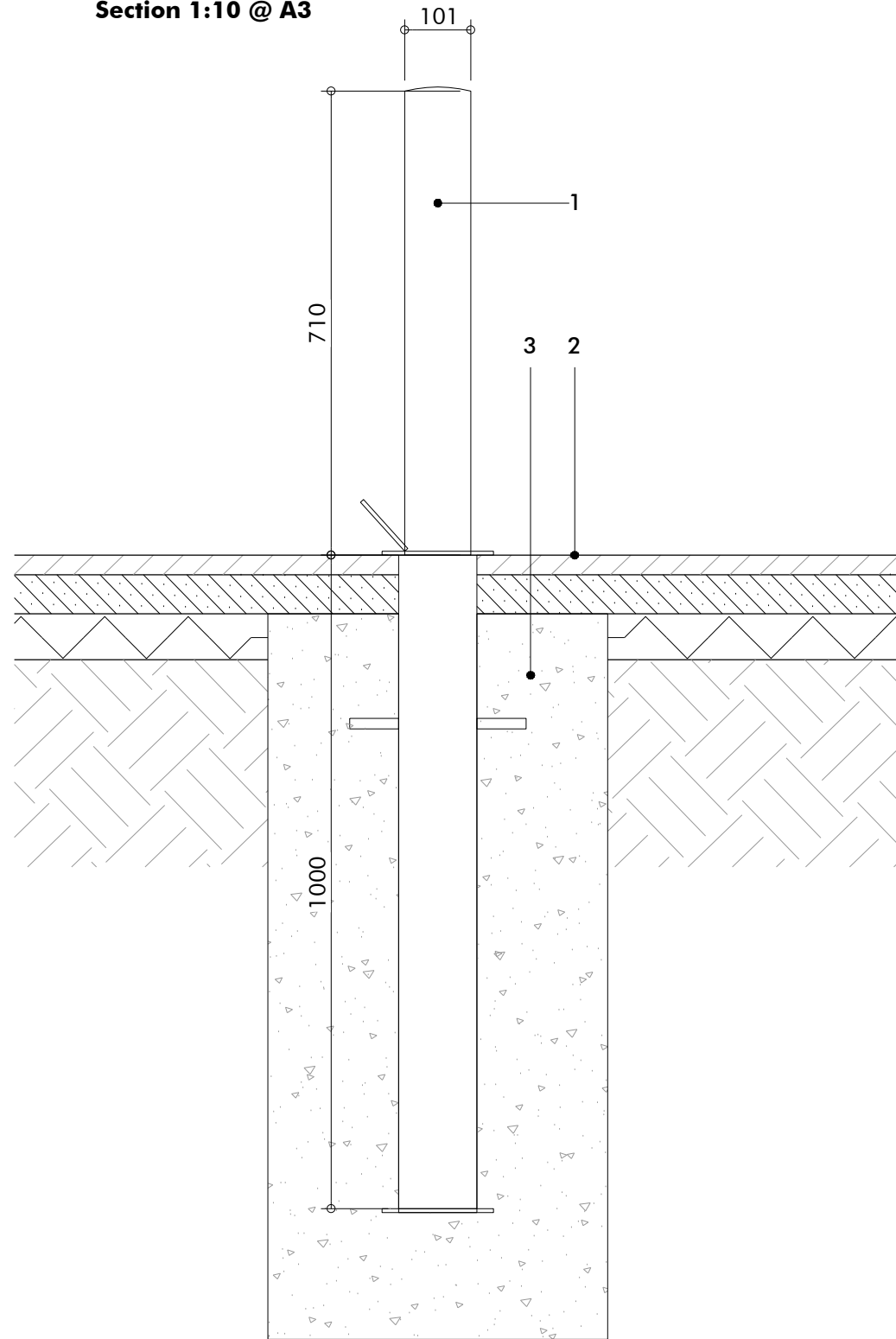
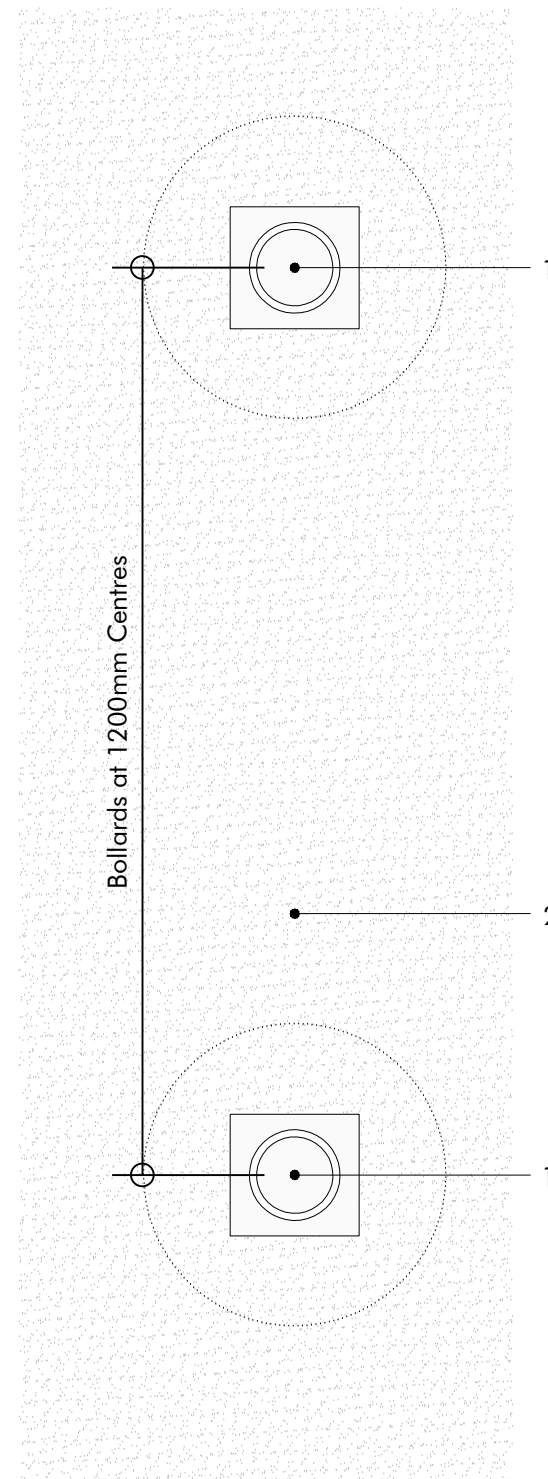


Section 1:10 @ A3



Plan of bollard with paving surround 1:10 @ A3



Key

1. Rhino RT/SS5 Lift assist Bollard or similar and approved. Brushed stainless steel finish
2. Adjacent surfacing. Refer to General Arrangement
3. Below ground fixing to concrete foundation

Notes

- A. All paving units to be core drilled to receive bollard.
- B. All details to be read in conjunction with the General Arrangement plans and specifications

Revision	Description	Drawn by	Checked by	Date
-	Draft Phase 1BN RMA Submission	JR	GG	03.03.17
A	Phase 1BN RMA Submission	KR	GG	29.03.17



Macgregor - Smith
Landscape Architecture



project	Brent Cross Cricklewood Plot 113	drawn by	JR
status	Phase 1BN RMA Submission	checked by	GG
title	Typical Bollard Detail	date	03.03.17
Xref		scale	1:10@A3
drawing No	1065-16-406	revision	A

PLEASE SEE NOTES ATTACHED AT DRAWING NOTE Q1